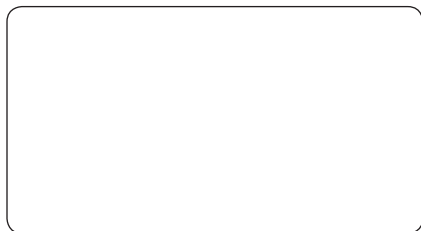
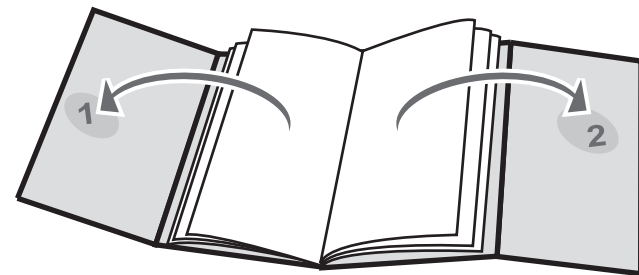




**POWER
TOOLS**



www.sparky.eu

142412V2

1603R01

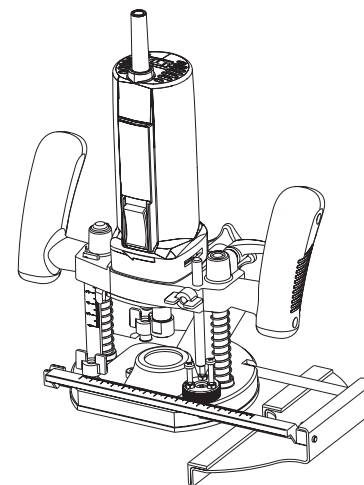
© 2016 SPARKY



SPARKY

www.sparky.eu

(EN)	ROUTER Original instructions	1 – 8
(DE)	OBERFRÄSE Originalbetriebsanleitung	9 – 17
(FR)	DEFONCEUSE Notice originale	18 – 27
(IT)	FRESATRICE Istruzioni originali	28 – 36
(ES)	FRESADORA Instrucciones de uso originales	37 – 46
(PT)	TUPIA Manual original	47 – 55
(PL)	FREZARKA Oryginalna instrukcja obsługi	56 – 64
(RU)	ФРЕЗА Оригинальная инструкция по эксплуатации	65 – 74
(UK)	ФРЕЗА Оригінальна інструкція з експлуатації	75 – 84
(BG)	ФРЕЗА Оригинална инструкция за използване	85 – 94



500W

X 52E



(EN) DECLARATION OF CONFORMITY

We declare under our sole responsibility that this product fulfils all the relevant provisions of the following directives and the harmonized standards: 2006/42/EC, 2004/108/EC (until April 19, 2016), 2014/30/EU (from April 20, 2016), 2011/65/EU, EN 60745-1, EN 60745-2-17; EN 55014-1, EN 55014-2, EN 61000-3-2, EN 61000-3-3. Technical file is stored at SPARKY ELTOS AG, Koubrat Str. 9, 5500 Lovetch, Bulgaria.

(DE) KONFORMITÄTSEKTLÄRUNG

Hiermit versichern wir unsere persönliche Haftung, dass dieses Erzeugnis allen einschlägigen Bestimmungen folgender Richtlinien und entsprechender harmonisierter Standards entspricht: 2006/42/EC, 2004/108/EC (bis 19. April 2016), 2014/30/EU (ab 20. April 2016), 2011/65/EU, EN 60745-1, EN 60745-2-17; EN 55014-1, EN 55014-2, EN 61000-3-2, EN 61000-3-3. Die technischen Unterlagen werden bei SPARKY ELTOS AG, Kubrat Str.9, 5500 Lovetch, Bulgarien, aufbewahrt.

(FR) DECLARATION DE CONFORMITE

Nous déclarons sous notre responsabilité que ce produit satisfait à l'ensemble des dispositions pertinentes de la présente directives, respectivement aux normes harmonisées: 2006/42/EC, 2004/108/EC (jusqu'au 19 avril 2016), 2014/30/EU (à partir du 20 avril 2016), 2011/65/EU, EN 60745-1, EN 60745-2-17; EN 55014-1, EN 55014-2, EN 61000-3-2, EN 61000-3-3. Le dossier technique est conservé par SPARKY ELTOS AG, rue Kubrat, Lovech, Bulgarie.

(IT) DICHIARAZIONE DI CONFORMITÀ

Noi dichiariamo sotto la nostra personale responsabilità, che questo prodotto è in conformità a tutte le disposizioni pertinenti della presente direttive e norme armonizzate: 2006/42/EC, 2004/108/EC (fino al 19 aprile 2016), 2014/30/UE (dal 20 aprile 2016), 2011/65/EU, EN 60745-1, EN 60745-2-17; EN 55014-1, EN 55014-2, EN 61000-3-2, EN 61000-3-3. Il fascicolo tecnico viene custodito presso la SPARKY ELTOS AG, 5500 Lovech, via Kubrat n. 9, Bulgaria.

(ES) DECLARACIÓN DE CONFORMIDAD

Declaramos bajo nuestra exclusiva responsabilidad que este producto está conforme con todas las disposiciones aplicables de la presente directrices aplicables y las correspondientes normas armonizadas: 2006/42/EC, 2004/108/EC (hasta el 19 de Abril de 2016), 2014/30/EU (a partir del 20 de Abril de 2016), 2011/65/EU, EN 60745-1, EN 60745-2-17; EN 55014-1, EN 55014-2, EN 61000-3-2, EN 61000-3-3. El expediente técnico está archivado en SPARKY ELTOS SA, C/ Kubrat, 9, 5500 Lovech, Bulgaria.

(PT) DECLARAÇÃO DE CONFORMIDADE

Declaramos assumindo a nossa responsabilidade pessoal que este produto está conforme com todas as disposições relevantes da presente directrizes aplicáveis e respectivos estandartes harmonizados: 2006/42/EC, 2004/108/EC (até ao 19 de Abril de 2016), 2014/30/EU (a partir do 20 de Abril de 2016), 2011/65/EU, EN 60745-1, EN 60745-2-17; EN 55014-1, EN 55014-2, EN 61000-3-2, EN 61000-3-3. A documentação técnica guarda-se no SPARKY ELTOS AD, rua Kubrat 9, 5500, Lovech, Bulgária.

(PL) DEKLARACJA ZGODNOŚCI

Niniejszym deklarujemy naszą osobistą odpowiedzialnością, że ten produkt spełnia wszystkie odpowiednie postanowienia następujących dyrektyw i harmonizowanych standardów: 2006/42/EC, 2004/108/EC (do 19 kwietnia 2016), 2014/30/EU (od 20 kwietnia 2016), 2011/65/EU, EN 60745-1, EN 60745-2-17; EN 55014-1, EN 55014-2, EN 61000-3-2, EN 61000-3-3. Teczka techniczna przechowywana jest w SPARKY ELTOS AG, Kubrat Str.9, 5500 Lovetch, Bulgaria.

(RU) ДЕКЛАРАЦИЯ О СООТВЕТСТВИИ

Мы заявляем со всей ответственностью, что данный продукт полностью соответствует всем соответствующим требованиям действующих директив и гармонизированных стандартов: 2006/42/EC, 2004/108/EC (до 19 апреля 2016), 2014/30/EU (с 20 апреля 2016), 2011/65/EU, EN 60745-1, EN 60745-2-17; EN 55014-1, EN 55014-2, EN 61000-3-2, EN 61000-3-3. Техническое досье хранится в СПАРКИ ЕЛТОС АД, ул. Кубрат №9, 5500 Ловеч, Болгария.

(UK) ДЕКЛАРАЦІЯ ПРО ВІДПОВІДНІСТЬ

Ми заявляємо під свою власну відповідальність, що даний продукт відповідає всім діючим вимогам директив і гармонізованих стандартів: 2006/42/EC, 2004/108/EC (з 20 квітня 2016), 2014/30/EU (з 20 квітня 2016), 2011/65/EU, EN 60745-1, EN 60745-2-17; EN 55014-1, EN 55014-2, EN 61000-3-2, EN 61000-3-3. Технічне досьє зберігається в СПАРКИ ЕЛТОС АД, ул. Кубрат № 9, 5500 Ловеч, Болгарія.

(BG) ДЕКЛАРАЦИЯ ЗА СЪОТВЕТСТВИЕ

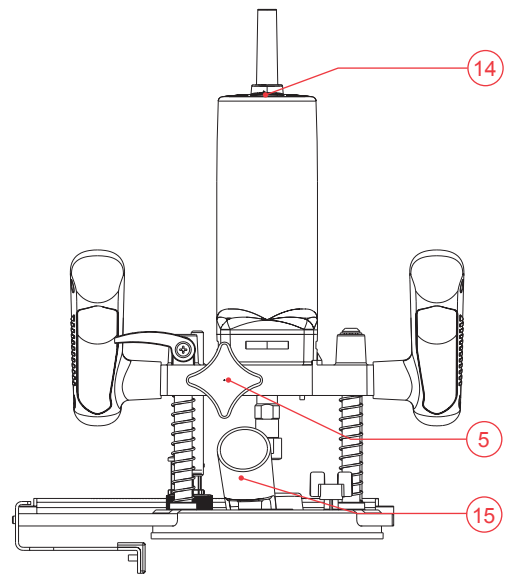
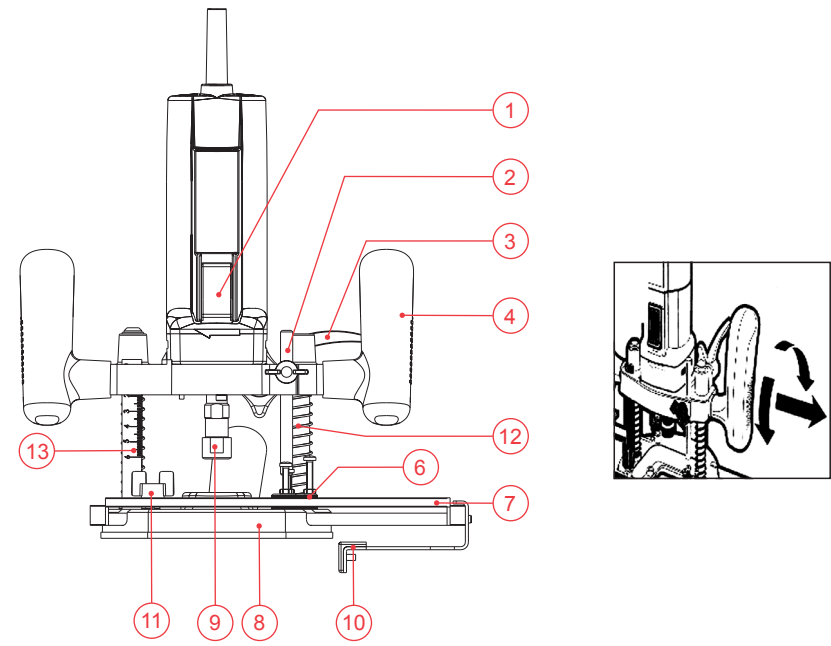
Ние декларираме на своя лична отговорност, че това изделие отговаря на всички приложими изисквания на следните директиви и хармонизирани стандарти: 2006/42/EC, 2004/108/EC (до 19 април 2016), 2014/30/EU (от 20 април 2016), 2011/65/EU, EN 60745-1, EN 60745-2-17; EN 55014-1, EN 55014-2, EN 61000-3-2, EN 61000-3-3. Техническото досие се съхранява в СПАРКИ ЕЛТОС АД, ул. Кубрат №9, 5500 Ловеч, България.

Manufacturer
SPARKY Power Tools GmbH
Leipziger Str. 20
10117 Berlin, GERMANY

Signature of authorized person

A. Ivanov
Technical director of SPARKY ELTOS AG

20 January 2016



Contents

Introduction	1
Technical specifications	3
General power tool safety warnings.....	4
Router safety warnings	5
Know your product	A/6
Operation	6
Maintenance	8
Warranty	8

UNPACKING

Due to modern mass production techniques, it is unlikely that your power tool is faulty or that a part is missing. If you find anything wrong, do not operate the tool until the parts have been replaced or the fault has been rectified. Failure to do so could result in serious personal injury.

ASSEMBLY

The router is packed, fully assembled except for the dust extraction adapter and parallel guide.

Introduction

Your new SPARKY power tool will more than satisfy your expectations. It has been manufactured under stringent SPARKY Quality Standards to meet superior performance criteria. You will find your new tool easy and safe to operate, and, with proper care, it will give you many years of dependable service.

WARNING:



Carefully read through these Original Instructions before using your new SPARKY power tool. Take special care to heed the Warnings. Your SPARKY power tool has many features that will make your job faster and easier. Safety, performance, and dependability have been given top priority in the development of this tool, making it easy to maintain and operate.



Do not dispose of electric tools together with household waste!

Waste electrical products should not be disposed of with household waste. Please recycle where facilities exist. Check with your local authority or retailer for recycling advice.

ENVIRONMENTAL PROTECTION



The machine, accessories and packaging should be sorted for environmental-friendly recycling.
The plastic components are labelled for categorised recycling.

DESCRIPTION OF SYMBOLS

The rating plate on your power tool may show symbols. These represent important information about the product or instructions on its use.



Double insulated for additional protection.



Electronic speed pre-selection.



Connection to vacuum cleaner.



Conforms to the relevant European Directives.



Conforms to the requirements of Customs Union regulations.



Conforms to the requirements of Ukrainian standards.




Refer to Original Instructions.

YYYY-Www Production period, where the variable symbols are:
YYYY- year of manufacture,
ww - calendar week number.

X Router.

Technical specifications

Model	X 52E
Power input	500 W
No load speed	8000-33000 min ⁻¹
Electronic speed pre-selection	yes
Connection to vacuum cleaner	yes
Collet capacity	Ø6; Ø8 mm
Cutting stroke, max.	52 mm
Weight (EPTA Procedure 01/2014)	2.8 kg
Protection class (EN 60745-1) 	II
NOISE AND VIBRATION INFORMATION	
Measured values determined according to EN 60745.	
Noise emission	
A-weighted sound pressure level L_{pA}	82.0 dB (A)
Uncertainty K_{pA}	3.0 dB (A)
A-weighted sound power level L_{WA}	93.0 dB (A)
Uncertainty K_{WA}	3.0 dB (A)
Wear hearing protection!	
Vibration emission *	
Total vibration values (vector sum in the three axes) determined according to EN 60745:	
Cutting grooves in chipboard	
Vibration emission value a_h	3.5 m/s ²
Uncertainty K	1.5 m/s ²
* The vibration emission values are determined according to 6.2.7 EN 60745.	

The vibration emission level given in this information sheet has been measured in accordance with a standardised test given in EN 60745 and may be used to compare one tool with another. It may be used for a preliminary assessment of exposure.

The declared vibration emission level represents the main applications of the tool. However if the tool is used for different applications, with different accessories or poorly maintained, the vibration emission may differ. This may significantly increase the exposure level over the total working period.

An estimation of the level of exposure to vibration should also take into account the times when the tool is switched off or when it is running but not actually doing the job. This may significantly reduce the exposure level over the total working period.

Maintain the power tool and the accessories and keep your hands warm during operation to reduce the harmful effect of vibrations.

Dust from material such as paint containing lead, some wood species, minerals and metal may be harmful. Contact with or inhalation of the dust may cause allergic reactions and/or respiratory diseases to the operator or bystanders.

Certain kinds of dust are classified as carcinogenic such as oak and beech dust especially in conjunction with additives for wood conditioning (chromate, wood preservative). Material containing asbestos must only be treated by specialists.

- Where the use of a dust extraction device is possible it shall be used.
- To achieve a high level of dust collection, use vacuum cleaner for wood or for wood and/or minerals together with this tool.
- The work place must be well ventilated.
- The use of a dust mask of filter class P2 is recommended.

Follow national requirements for the materials you want to work with.

General power tool safety warnings



WARNING! Read all safety warnings and all instructions. Failure to follow the warnings and instructions may result in electric shock, fire and/or serious injury.

Save all warnings and instructions for future reference.

The term "power tool" in the warnings refers to your mains-operated (corded) power tool or battery-operated (cordless) power tool.

1) Work area safety

- a) **Keep work area clean and well lit.** Cluttered or dark areas invite accidents.
- b) **Do not operate power tools in explosive atmospheres, such as in the presence of flammable liquids, gases or dust.** Power tools create sparks which may ignite the dust or fumes.
- c) **Keep children and bystanders away while operating a power tool.** Distractions can cause you to lose control.

2) Electrical safety

- a) **Power tool plugs must match the outlet.** Never modify the plug in any way. Do not use any adapter plugs with earthed (grounded) power tools. Unmodified plugs and matching outlets will reduce risk of electric shock.
- b) **Avoid body contact with earthed or grounded surfaces, such as pipes, radiators, ranges and refrigerators.** There is an increased risk of electric shock if your body is earthed or grounded.
- c) **Do not expose power tools to rain or wet conditions.** Water entering a power tool will increase the risk of electric shock.
- d) **Do not abuse the cord.** Never use the cord for carrying, pulling or unplugging the power tool. Keep cord away from heat, oil, sharp edges or moving parts. Damaged or entangled cords increase the risk of electric shock.
- e) **When operating a power tool outdoors, use an extension cord suitable for outdoor use.** Use of a cord suitable for outdoor use reduces the risk of electric shock.
- f) **If operating a power tool in a damp location is unavoidable, use a residual current device (RCD) protected supply.**

Use of an RCD reduces the risk of electric shock.

3) Personal safety

- a) **Stay alert, watch what you are doing and use common sense when operating a power tool. Do not use a power tool while you are tired or under the influence of drugs, alcohol or medication.** A moment of inattention while operating power tools may result in serious personal injury.
 - b) **Use personal protective equipment. Always wear eye protection.** Protective equipment such as dust mask, non-skid safety shoes, hard hat, or hearing protection used for appropriate conditions will reduce personal injuries.
 - c) **Prevent unintentional starting.** Ensure the switch is in the off-position before connecting to power source and/or battery pack, picking up or carrying the tool. Carrying power tools with your finger on the switch or energising power tools that have the switch on invites accidents.
 - d) **Remove any adjusting key or wrench before turning the power tool on.** A wrench or a key left attached to a rotating part of the power tool may result in personal injury.
 - e) **Do not overreach.** Keep proper footing and balance at all times. This enables better control of the power tool in unexpected situations.
 - f) **Dress properly. Do not wear loose clothing or jewellery. Keep your hair, clothing and gloves away from moving parts.** Loose clothes, jewellery or long hair can be caught in moving parts.
 - g) **If devices are provided for the connection of dust extraction and collection facilities, ensure these are connected and properly used.** Use of dust collection can reduce dust-related hazards.
- ## 4) Power tool use and care
- a) **Do not force the power tool. Use the correct power tool for your application.** The correct power tool will do the job better and safer at the rate for which it was designed.
 - b) **Do not use the power tool if the switch does not turn it on and off.** Any power tool that cannot be controlled with the switch is dangerous and must be repaired.
 - c) **Disconnect the plug from the power source and/or the battery pack from the power tool before making any adjustments, changing accessories, or stor-**

ing power tools. Such preventive safety measures reduce the risk of starting the power tool accidentally.

- d) **Store idle power tools out of the reach of children and do not allow persons unfamiliar with the power tool or these instructions to operate the power tool.** Power tools are dangerous in the hands of untrained users.
- e) **Maintain power tools. Check for misalignment or binding of moving parts, breakage of parts and any other condition that may affect the power tool's operation. If damaged, have the power tool repaired before use.** Many accidents are caused by poorly maintained power tools.
- f) **Keep cutting tools sharp and clean.** Properly maintained cutting tools with sharp cutting edges are less likely to bind and are easier to control.
- g) **Use the power tool, accessories and tool bits etc. in accordance with these instructions, taking into account the working conditions and the work to be performed.** Use of the power tool for operations different from those intended could result in a hazardous situation.

5) Service

- a) **Have your power tool serviced by a qualified repair person using only identical replacement parts.** This will ensure that the safety of the power tool is maintained.

Router safety warnings



Wear ear protectors with router. Exposure to noise can cause hearing loss.

- **Always use both handles during operation.** Loss of control can cause personal injury.



During operation provide eye protection to prevent eyes from exposure to flying particles. Wear goggles.



Take protective measures against inhalation of dust. Some materials can contain toxic ingredients. Wear a dust mask and work with dust/chip extraction when connectable.

- **Hold the power tool by insulated gripping surfaces only, when performing an operation where the cutting accessory may contact hidden wiring or its own cord.** Cut-

ting accessory contacting a "live" wire may make exposed metal parts of the power tool "live" and could give the operator an electric shock.

- **Use clamps or another practical way to secure and support the workpiece to a stable platform.** Holding the work by your hand or against the body leaves it unstable and may lead to loss of control.
- Do not process materials containing asbestos. Asbestos is considered carcinogenic.
- Use of protective gloves is recommended.



WARNING: Before connecting a tool to a power source, ensure that the voltage supply is the same as the one specified on the name-plate of the tool.

- A power source with a voltage greater than that specified for the tool can result in serious injury to the user, as well as damage to the tool.
- If in doubt, do not plug in the tool.
- Using a power source with a voltage less than the nameplate rating is harmful to the motor.
- Fully unwind cable drum extensions to avoid potential overheating.
- When an extension cable is required, you must ensure that it has the right ampere rating for your power tool and it is in safe electrical condition.



WARNING: Always switch off and unplug the power tool prior to any adjustment, servicing or maintenance or in case of mains drop-out.

- Prior to operation remove all nails, screws and other objects from the work piece. You can damage the bit and the tool by cutting into a nail or other metal. It can also present a safety hazard.
- Never operate the router under load. Make sure that the bit is not in contact with the work piece when you switch the machine on.
- Always use both handles and make sure that you have a good grip on the router before proceeding with any work.
- Always switch off and wait until the bit has come to a complete standstill before removing the machine from the work piece.
- Do not touch the bit immediately after operation. It may be extremely hot and could burn your skin.

- Rags, cloths, cord, string and the like should never be left around the work area.
- Always keep the cord away from the working area of the power tool.
- Never use the machine with a damaged cable. Do not touch the damaged cable and pull the mains plug when the cable is damaged while operating. Damaged cables increase the risk of electric shock.
- Do not use blunt or damaged router bits. Blunt or damaged router bits cause increased friction, can become jammed and lead to imbalance.
- The tool must be used only for its prescribed purpose. Any use other than those mentioned in this Manual will be considered a case of misuse. The user and not the manufacturer shall be liable for any damage or injury resulting from such cases of misuse.
- To use this tool properly, you must observe the safety regulations, the assembly instructions and the operating instructions found in this Manual. All persons who use and service the machine have to be acquainted with this Manual and must be informed about its potential hazards. Children and frail people must not use this tool. Children should be supervised at all times if they are in the area in which the tool is being used. It is also imperative that you observe the accident prevention regulations in force in your area. The same applies for general rules of occupational health and safety.
- The manufacturer shall not be liable for any changes made to the tool nor for any damage resulting from such changes.
- Power tools must not be used outdoors in rainy weather, or in moist environment (after rain) or in close vicinity with easily flammable liquids and gases. The working place should be well lit.

Know your product

Before using the power tool, familiarize yourself with all the operating features and safety requirements.

Use the tool and accessories only for the applications intended. All other applications are expressly ruled out.

1. ON/OFF switch
2. Cutting (shaping) depth guide
3. Knee vertical position fixing lever
4. Grip handles

5. Screw for tightening the electric motor to the knee
6. Three-level position support
7. Parallel guide ruler
8. Base plate
9. Spindle
10. Parallel guide
11. Screws for securing the parallel guide
12. Vertical guides
13. Cutting (shaping) depth reading ruler
14. Electronic regulator of rotation speed
15. Adapter for vacuum cleaner

Operation

These power tools are supplied from single-phase alternating current mains only. They are double insulated according to EN 60745-1, IEC 60745 and can be connected to grounded or not grounded sockets. This power tool is radio suppressed in compliance with EMC Directive. The routers are power tools, designed for routing groove, roundover, cone, chamfering, profile edges and openings in wood, wooden planes and plastics, by means of straight and profile router bits.

PRIOR TO INITIAL OPERATION

- Make sure the power supply voltage corresponds to the value indicated on the name plate with the technical data of the tool.
- Always check the position of ON/OFF switch. The router must be connected to the power supply socket only when this switch is in OFF position.
- Make sure that the cord and the plug are in order. If the replacement of the supply cord is necessary, this has to be done by the manufacturer or his agent in order to avoid a safety hazard.
- Before starting to operate, ensure the router bit being used has the correct shank size matching the inserted collet and the maximum number of revolutions of the used tool.
- Make sure if the router bit is secured in the collet.



WARNING: Always switch off and unplug the power tool prior to any adjustment, servicing or maintenance.

The router is designated to operate with router bits with shank diameter 6 and 8 mm. The maximum diameter of the router bit active part shall not exceed Ø30. The high speed requires usage

of high-quality router bits in order to guarantee sufficient operating life (E.g. HSS router bits or even better carbide tipped bits.)
Use only router bits with exact shank diameter, fit to the corresponding collet and appropriate for the router speed.

SWITCHING ON - SWITCHING OFF

- Switching on: push the slider of ON/OFF switch 1 forward until its front end will sag, thus fixing itself.
- Switching off: press the back, lifted end of switch 1 and release it to return in its initial position.



WARNING: In case ambient temperature is lower than 0°C the router must be switched on only in "G" position of the speed electronic regulator. After several minutes operation at no-load the router can be used also in the rest of regulator positions.

ROTATION SPEED ADJUSTMENT

Rotation speed adjustment can be varied smoothly from A to G, through rotating the thumbwheel of the electronic regulator 14, placed on the rear of the electric motor cover.

HANDLE ADJUSTMENT

Pull out the handles separately and rotate them in position, convenient for operation, then release the handles.

REPLACING THE ROUTER BITS

Unscrew fixing screw 5 to remove the electric motor from the supporting base, in order to work more conveniently.

Unscrew nut III by means of the wrenches S17 and S14 and remove router bit IV from the spindle 9.

Place the new bit in collet II and tighten nut III completely.

Replace the electric motor in the supporting knee cradle and tighten fixing screw 5 well

ADJUSTMENT OF CUTTING DEPTH

Lower down supporting knee until the tool will touch the surface of the machined piece, fix it by lever 3, and read the position on vertical ruler 13 as initial (zero) position.

Adjust the first depth level by guide 2, pointing to the highest level of the three-position support 6, reading the size on vertical ruler 13 and fix the supporting knee with lever 3.

Fix depth guide 2 by the wing screw. (Adjust in advance the three levels of the positioning support to the desired levels.)

- The second and the third level of cutting depth can be achieved by only rotating the disk of the three-position support 6 and moving the support knee until depth guide 2 will touch the corresponding level of the support.

Check the sizes on the vertical ruler or by a reference part (test part).

USAGE OF THE PARALLEL GUIDE

The parallel guide 10 is used for cutting edges and grooves parallel to them at a predefined distance. Adjusting the distance is accomplished by using horizontal ruler 7, after that parallel guide 10 being fixed with screws 11.

ROUTING AGAINST DRAFT (DRAFT)

It is performed without parallel guide 10, against the preliminary drawn on the workpiece draft. Better results can be achieved if machining smaller lengths.

ROUTING BIG WORKPIECES

In order to guide the router bit use an auxiliary board fixed on the machined surface. Guide the router with both hands, the flat part of the router base 8 being constantly pressed against the auxiliary board.

ROUTING WITH SUCTION

Place the adapter in the cradle in base 8, from its lower side, cylindrical part pointing forward. Fix the adapter to the base with two screws and place the transparent cover. The inner diameter of the adapter for connecting to the vacuum-cleaner is equal to 35 mm.

ACCESSORIES TO BE USED WITH THIS POWER TOOL

- HSS router bits - Ø6; Ø8
- Carbide tipped bits - Ø6; Ø8

Maintenance



WARNING: Always ensure that the tool is switched off and unplugged before attempting to perform inspection or maintenance.

BRUSH REPLACEMENT

This power tool is equipped with auto-stop brushes. When the carbon brushes are worn out, the machine switches itself off. In this case both brushes must be replaced simultaneously with genuine brushes at SPARKY service centre for warranty and post-warranty service.

GENERAL INSPECTION

Regularly inspect all fasteners and ensure they are properly tightened. Should any of the screws be loose, retighten it immediately to avoid hazards. If the replacement of the supply cord is necessary, this has to be done by the manufacturer or his agent in order to avoid a safety hazard.

CLEANING

For safe operation always keep the machine and its ventilation slots clean. Regularly check to see if any dust or foreign matter has entered the ventilation slots and the grills around the switches. Use a soft brush and/or air jet to remove any accumulated dust. Wear safety glasses to protect your eyes whilst cleaning. Maintain threaded sockets clean. Clean regularly and lubricate periodically vertical guides 12 with oil. Exterior plastic parts may be cleaned with a damp cloth and mild detergent if necessary.



WARNING: Never use alcohol, petrol or other cleaning agent. Never use caustic agents to clean plastic parts.



WARNING: Water must never come into contact with the tool.

IMPORTANT! To assure product safety and reliability, repairs, maintenance and adjustment (including brush inspection and replacement) should be performed by certified service centres or other qualified service organisations, always using genuine replacement parts.

Warranty

The guarantee period for SPARKY power tools is determined in the guarantee card.

Faults due to normal wear, overloading or improper handling will be excluded from the guarantee.

Faults due to defective materials implemented as well as defects in workmanship will be corrected free of charge through replacement or repair.

The complaints for defective SPARKY power tools will be recognized if the machine is sent back to the dealer or is presented to the authorised warranty service centre undismantled, in its initial condition.

Notes

Carefully read the entire Instruction Manual before using this product.

The manufacturer reserves the right to make changes and improvements to the products and to alter specifications without prior notice.

Specifications may differ from country to country.

Inhaltsverzeichnis

Einführung	9
Technische Daten	11
Allgemeine Sicherheitshinweise für Elektrowerkzeuge.....	12
Sicherheitshinweise für Fräsen.....	13
Elemente des Elektrowerkzeugs.....	A/15
Arbeitshinweise	15
Wartung	16
Garantie	17

AUSPACKEN

Überprüfen Sie unmittelbar nach dem Auspacken ob sämtliche Bestandteile und das beschriebene Zubehör mitgeliefert wurden. Sollte dies nicht der Fall sein, wenden Sie sich bitte umgehend an Ihren Fachhändler bei dem das Elektrowerkzeug gekauft wurde. Dies trifft auch dann zu, wenn Sie den Eindruck haben mit dem Gerät ist etwas nicht in Ordnung. Eine Nichtbeachtung dieser Empfehlung kann zu schweren Unfällen führen.

EINBAU

Die Fräse wird verpackt und zusammengebaut geliefert, mit Ausnahme des Absaugadapter und des Parallelanschlages.

Einführung

Das von Ihnen erworbene Elektrowerkzeug wird Ihre Erwartungen übersteigen. Es ist gemäß den hohen Qualitätsstandards von SPARKY hergestellt, die den strengen Anforderungen des Verbrauchers entsprechen. Einfach in der Bedienung und ungefährlich bei richtiger Handhabung, wird dieses Gerät bei bestimmungsgemäßem Gebrauch Ihnen lange Jahre zuverlässig dienen.

WARNUNG!



Lesen Sie die ganze Originalbetriebsanleitung aufmerksam durch, bevor Sie das neu erworbene SPARKY – Elektrowerkzeug in Betrieb nehmen. Beachten Sie besonders die Texte, die mit dem Wört „Warnung“ beginnen. Ihr SPARKY - Elektrowerkzeug besitzt viele Eigenschaften, die Ihre Arbeit erleichtern werden. Bei der Entwicklung dieses Elektrowerkzeuges ist höchste Aufmerksamkeit der Sicherheit, den Betriebseigenschaften und der Zuverlässigkeit gewidmet worden, die es einfach zur Wartung und Bedienung machen.



Keine elektrischen Geräte zusammen mit dem Hausmüll wegwerfen!

Die Abfälle von elektrischen Erzeugnissen sollen nicht zusammen mit dem Hausmüll gesammelt werden. Für eine umweltgerechte Entsorgung geben Sie Ihren alten / defekten Elektrogeräte bitte in der nächsten kommunalen Sammelstelle ab.

UMWELTSCHUTZ



Angesichts des Umweltschutzes sollen das Elektrowerkzeug, die Zubehörteile und die Verpackung einer geeigneten Wiederverwertung zugeführt werden. Zum sortenreinen Recycling sind die Teile, hergestellt aus Kunststoffen, entsprechend gekennzeichnet.

BEDEUTUNG DER SYMBOLE

Auf dem Typenschild des Elektrowerkzeuges sind spezielle Symbole dargestellt. Sie stellen wichtige Information über das Produkt oder Instruktionen für seine Nutzung dar.



Doppelte Isolierung für zusätzlichen Schutz.



Elektronische Drehzahlvorwahl.



Staubsaugeranschluß.



Entspricht den einschlägigen Europäischen Richtlinien.



Entspricht den Anforderungen der Zollunion-Regelungen.



Entspricht den Anforderungen der ukrainischen normativen Dokumenten.



Lesen Sie die Originalbetriebsanleitung.

YYYY-Www Zeitabschnitt der Produktion, wobei die variablen Symbole sind:

YYYY - Kalenderjahr der Produktion,

ww - laufende Kalenderwoche.

X Oberfräse.

Technische Daten

Modell	X 52E
Leistungsaufnahme	500 W
Leerlaufdrehzahl	8000-33000 min ⁻¹
Elektronische Drehzahlvorwahl	ja
Staubsaugeranschluß	ja
Werkzeugaufnahme	Ø6; Ø8 mm
Senkrechtthub (Frästiefe) - max	52 mm
Gewicht (EPTA Verfahren 01/2014)	2.8 kg
Schutzklasse (EN 60745-1) 	II

GERÄUSCH-VIBRATIONSINFORMATION

Messwerte ermittelt entsprechend EN 60745.

Geräuschemissionswerte

Der A-bewertete Schalldruckpegel L _{PA}	82.0 dB (A)
Unsicherheit K _{PA}	3.0 dB (A)
Der A-bewertete Schalleistungspegel L _{WA}	93.0 dB (A)
Unsicherheit K _{WA}	3.0 dB (A)

Gehörschutz tragen!

Schwingungsemissionswerte *

Schwingungsgesamtwerte (Vektorsumme dreier Richtungen) ermittelt entsprechend EN 60745:

Fräsen von Kanälen in Holzfaserverplatten	
Schwingungsemissionswert a _n	3.5 m/s ²
Unsicherheit K	1.5 m/s ²

* Messwerte ermittelt nach 6.2.7 EN 60 745.

Der in diesen Anweisungen angegebene Schwingungspegel ist entsprechend einem in EN 60745 genormten Messverfahren gemessen worden und kann für den Vergleich von Elektrowerkzeugen miteinander verwendet werden. Er eignet sich auch für eine vorläufige Einschätzung der Schwingungsbelastung.

Der angegebene Schwingungspegel repräsentiert die hauptsächlichen Anwendungen des Elektrowerkzeugs. Wenn allerdings das Elektrowerkzeug für andere Anwendungen, mit abweichenden Einsatzwerkzeugen oder ungenügender Wartung eingesetzt wird, kann der Schwingungspegel abweichen. Dies kann die Schwingungsbelastung über den gesamten Arbeitszeitraum deutlich erhöhen.

Für eine genaue Abschätzung der Schwingungsbelastung sollten auch die Zeiten berücksichtigt werden, in denen das Gerät abgeschaltet ist oder zwar läuft, aber nicht tatsächlich im Einsatz ist. Dies kann die Schwingungsbelastung über den gesamten Arbeitszeitraum deutlich reduzieren.

Pflegen Sie das Gerät und die Einsatzwerkzeuge mit Sorgfalt. Halten Sie Ihre Hände warm während der Arbeit - dies wird die schädliche Einwirkung erhöhter Schwingungen reduzieren.

Stäube von Materialien wie bleihaltigem Anstrich, einigen Holzarten, Mineralien und Metall können gesundheitsschädlich sein. Berühren oder Einatmen der Stäube können allergische Reaktionen und/oder Atemwegserkrankungen des Benutzers oder in der Nähe befindlicher Personen hervorrufen.

Bestimmte Stäube wie Eichen- oder Buchenstaub gelten als krebserzeugend, besonders in Verbindung mit Zusatzstoffen zur Holzbehandlung (Chromat, Holzschutzmittel). Asbesthaltiges Material darf nur von Fachleuten bearbeitet werden.

- Benutzen Sie möglichst eine Staubabsaugung.
- Um bei der Arbeit mit diesem Elektrowerkzeug ein gutes Staubabfangen zu gewährleisten, benutzen Sie einen Staubabsauger, der für Holzstaub oder für Holz- und mineralischen Staub bestimmt ist.
- Sorgen Sie für gute Belüftung des Arbeitsplatzes.
- Es wird empfohlen, eine Atemschutzmaske mit Filterklasse P2 zu tragen.

Beachten Sie in Ihrem Land gültige Vorschriften für die zu bearbeitenden Materialien.

Allgemeine Sicherheitshinweise für Elektrowerkzeuge



WARNUNG: Lesen Sie alle Sicherheitshinweise und Anweisungen. Versäumnisse bei der Einhaltung der Sicherheitshinweise und Anweisungen können elektrischen Schlag, Brand und/oder schwere Verletzungen verursachen.

Bewahren Sie alle Sicherheitshinweise und Anweisungen für die Zukunft auf.

Der in den Sicherheitshinweisen verwendete Begriff „Elektrowerkzeug“ bezieht sich auf netzbetriebene Elektrowerkzeuge (mit Netzkabel) und auf akkubetriebene Elektrowerkzeuge (ohne Netzkabel).

1) Arbeitsplatzsicherheit

- Halten Sie Ihren Arbeitsbereich sauber und gut beleuchtet.** Unordnung oder unbeleuchtete Arbeitsbereiche können zu Unfällen führen.
- Arbeiten Sie mit dem Elektrowerkzeug nicht in explosionsgefährdeter Umgebung, in der sich brennbare Flüssigkeiten, Gase oder Stäube befinden.** Elektrowerkzeuge erzeugen Funken, die den Staub oder die Dämpfe entzünden können.
- Halten Sie Kinder und andere Personen während der Benutzung des Elektrowerkzeugs fern.** Bei Ablenkung können Sie die Kontrolle über das Gerät verlieren.

2) Elektrische Sicherheit

- Der Anschlussstecker des Elektrowerkzeuges muss in die Steckdose passen.** Der Stecker darf in keiner Weise verändert werden. Verwenden Sie keine Adapterstecker gemeinsam mit ungeerdeten Elektrowerkzeugen. Unveränderte Stecker und passende Steckdosen verringern das Risiko eines elektrischen Schlages.
- Vermeiden Sie Körperkontakt mit geerdeten Oberflächen wie von Rohren, Heizungen, Herden und Kühlschränken.** Es besteht ein erhöhtes Risiko durch elektrischen Schlag, wenn Ihr Körper geerdet ist.
- Halten Sie Elektrowerkzeuge von Regen und Nässe fern.** Das Eindringen von Wasser in ein Elektrowerkzeug erhöht das Risiko eines elektrischen Schlages.

- Zweckentfremden Sie das Kabel nicht, um das Elektrowerkzeug zu tragen, aufzuhängen oder um den Stecker aus der Steckdose zu ziehen.** Halten Sie das Kabel fern von Hitze, Öl, scharfen Kanten oder sich bewegenden Geräteteilen. Beschädigte oder verwickelte Kabel erhöhen das Risiko eines elektrischen Schlages.
- Wenn Sie mit einem Elektrowerkzeug im Freien arbeiten, verwenden Sie nur Verlängerungskabel, die auch für den Außenbereich geeignet sind.** Die Anwendung eines für den Außenbereich geeigneten Verlängerungskabels verringert das Risiko eines elektrischen Schlages.
- Wenn der Betrieb des Elektrowerkzeuges in feuchter Umgebung nicht vermeidbar ist, verwenden Sie einen Fehlerstromschutzschalter.** Der Einsatz eines Fehlerstromschutzschalters vermindert das Risiko eines elektrischen Schlages.

3) Sicherheit von Personen

- Seien Sie aufmerksam, achten Sie darauf, was Sie tun, und gehen Sie mit Vernunft an die Arbeit mit einem Elektrowerkzeug.** Benutzen Sie kein Elektrowerkzeug, wenn Sie müde sind oder unter dem Einfluss von Drogen, Alkohol oder Medikamenten stehen. Ein Moment der Unachtsamkeit beim Gebrauch des Elektrowerkzeuges kann zu ernsthaften Verletzungen führen.
- Tragen Sie persönliche Schutzausrüstung und immer eine Schutzbrille.** Das Tragen persönlicher Schutzausrüstung, wie Staubmaske, rutschfeste Sicherheitsschuhe, Schutzhelm oder Gehörschutz, je nach Art und Einsatz des Elektrowerkzeuges, verringert das Risiko von Verletzungen.
- Vermeiden Sie eine unbeabsichtigte Inbetriebnahme.** Vergewissern Sie sich, dass das Elektrowerkzeug ausgeschaltet ist, bevor Sie es an die Stromversorgung und/oder den Akku anschließen, es aufnehmen oder tragen. Wenn Sie beim Tragen des Elektrowerkzeuges den Finger am Schalter haben oder das Gerät eingeschaltet an die Stromversorgung anschließen, kann dies zu Unfällen führen.
- Entfernen Sie Einstellwerkzeuge oder Schraubenschlüssel, bevor Sie das Elektrowerkzeug einschalten.** Ein Werkzeug oder Schlüssel, der sich in einem drehenden Geräteteil befindet, kann zu Verletzungen führen.

- e) **Vermeiden Sie eine abnormale Körperhaltung. Sorgen Sie für einen sicheren Stand und halten Sie jederzeit das Gleichgewicht.** *Dadurch können Sie das Elektrowerkzeug in unerwarteten Situationen besser kontrollieren.*
- f) **Tragen Sie geeignete Kleidung. Tragen Sie keine weite Kleidung oder Schmuck. Halten Sie Haare, Kleidung und Handschuhe fern von sich bewegenden Teilen.** *Lockere Kleidung, Schmuck oder lange Haare können von sich bewegenden Teilen erfasst werden.*
- g) **Wenn Staubabsaug- und -auffangrichtungen montiert werden können, vergewissern Sie sich, dass diese angeschlossen sind und richtig verwendet werden.** *Verwendung einer Staubabsaugung kann Gefährdungen durch Staub verringern.*

4) Verwendung und Behandlung des Elektrowerkzeuges

- a) **Überlasten Sie das Gerät nicht. Verwenden Sie für Ihre Arbeit das dafür bestimmte Elektrowerkzeug.** *Mit dem passenden Elektrowerkzeug arbeiten Sie besser und sicherer im angegebenen Leistungsbereich.*
- b) **Benutzen Sie kein Elektrowerkzeug, dessen Schalter defekt ist.** *Ein Elektrowerkzeug, das sich nicht mehr ein- oder ausschalten lässt, ist gefährlich und muss repariert werden.*
- c) **Ziehen Sie den Stecker aus der Steckdose und/oder entfernen Sie den Akku, bevor Sie Geräteeinstellungen vornehmen, Zubehörteile wechseln oder das Gerät weglegen.** *Diese Vorsichtsmaßnahme verhindert den unbeabsichtigten Start des Elektrowerkzeuges.*
- d) **Bewahren Sie unbenutzte Elektrowerkzeuge außerhalb der Reichweite von Kindern auf. Lassen Sie Personen das Gerät nicht benutzen, die mit diesem nicht vertraut sind oder diese Anweisungen nicht gelesen haben.** *Elektrowerkzeuge sind gefährlich, wenn Sie von unerfahrenen Personen benutzt werden.*
- e) **Pflegen Sie Elektrowerkzeuge mit Sorgfalt. Kontrollieren Sie, ob bewegliche Teile einwandfrei funktionieren und nicht klemmen, ob Teile gebrochen oder so beschädigt sind, dass die Funktion des Elektrowerkzeuges beeinträchtigt ist. Lassen Sie beschädigte Teile vor dem Einsatz des Gerätes reparieren. Viele Unfälle haben ihre Ursache in schlecht gewarteten Elektrowerkzeugen.**

f) **Halten Sie Schneidwerkzeuge scharf und sauber.** *Sorgfältig gepflegte Schneidwerkzeuge mit scharfen Schneidkanten verklemmen sich weniger und sind leichter zu führen.*

g) **Verwenden Sie Elektrowerkzeug, Zubehör, Einsatzwerkzeuge usw. entsprechend diesen Anweisungen.** *Berücksichtigen Sie dabei die Arbeitsbedingungen und die auszuführende Tätigkeit. Der Gebrauch von Elektrowerkzeugen für andere als die vorgesehenen Anwendungen kann zu gefährlichen Situationen führen.*

5) Service

a) **Lassen Sie Ihr Elektrowerkzeug nur von qualifiziertem Fachpersonal und nur mit Original-Ersatzteilen reparieren.** *Damit wird sichergestellt, dass die Sicherheit des Elektrowerkzeuges erhalten bleibt.*

Sicherheitshinweise für Fräsen



Tragen Sie Gehörschutz bei der Benutzung von Fräsen. *Die Einwirkung von Lärm kann Gehörverlust bewirken.*

- **Während der Arbeit das Gerät immer mit beiden Händen halten.** *Der Verlust der Kontrolle über die Maschine kann zu Verletzungen führen.*



Verwenden Sie während der Arbeit geeignete Augenschutzmittel um sich vor fliegenden Teilchen zu schützen. *Tragen Sie eine Schutzbrille.*



Treffen Sie Schutzmaßnahmen gegen das Einatmen von Staub. *Manche Werkstoffe können toxische Bestandteile enthalten. Tragen Sie eine Staubschutzmaske.*

- **Halten Sie das Gerät nur an den isolierten Griffflächen, wenn Sie Arbeiten ausführen, bei denen das Einsatzwerkzeug verborgene Stromleitungen oder das eigene Netzkabel treffen kann.** *Der Kontakt mit einer spannungsführenden Leitung kann auch metallene Geräteteile unter Spannung setzen und zu einem elektrischen Schlag führen.*
- **Befestigen und sichern Sie das Werkstück mittels Zwingen oder auf andere Art und Weise an einer stabilen Unterlage.** *Wenn Sie das Werkstück nur mit der Hand oder gegen Ihren Körper halten, bleibt es labil, was zum Verlust der Kontrolle führen kann.*

- Bearbeiten Sie keine asbesthaltigen Materialien. Asbest gilt als krebserregend.
- Es wird empfohlen, während der Arbeit mit der Stichsäge Schutzhandschuhe tragen.



WARNUNG: Bevor Sie das Elektrowerkzeug ans Stromnetz anschließen, stellen Sie sicher, dass die Spannung der Spannung, angegeben auf dem Geräteschild, entspricht. Eine Spannung, die höher als die Nennspannung ist, kann zu ernstesten Verletzungen führen, sowie auch Schäden am Elektrowerkzeug verursachen.

- Falls Sie nicht sicher sind, wie hoch die Netzspannung ist, schalten Sie das Elektrowerkzeug nicht ein.
- Falls die Spannung niedriger als die Nennspannung ist, wird der Motor beschädigt.
- Um eine eventuelle Überhitzung zu verhindern, rollen Sie das Kabel von einer Kabeltrommel immer bis zum Ende ab.
- Wenn Sie ein Verlängerungskabel benutzen müssen, versichern Sie sich zuerst, dass sein Querschnitt dem Nennstrom des benutzten Elektrowerkzeugs entspricht, so wie auch, dass es unbeschädigt ist.



WARNUNG: Schalten Sie vor jeder Einstellung, Bedienung oder Wartung, so wie auch bei einem Stromausfall immer das Elektrowerkzeug aus und ziehen Sie den Stecker aus der Steckdose.

- Entfernen Sie vor Beginn der Arbeit alle Nägel, Schrauben und andere Körper von dem zu bearbeitenden Werkstück. Beim Fräsen im Nagel oder anderem Metallgegenstand können Sie den Fräser oder das Elektrogerät beschädigen, was Voraussetzung für Betriebsunfall ist.
- Schalten Sie die Fräse nicht unter Last ein. Bevor Sie das Gerät anschalten, stellen Sie sicher, dass der Fräser die zu bearbeitende Oberfläche nicht berührt.
- Führen Sie die Fräse immer bei Verwendung der beiden Handgriffe, indem Sie sicherstellen, dass Sie das Gerät festhalten, bevor Sie mit der Operation beginnen.
- Schalten Sie das Gerät immer aus und warten Sie bis zum endgültigen Anhalten des Fräasers, bevor Sie das Gerät von dem Werkstück entfernen.
- Berühren Sie den Fräser nicht sofort nach Beendigung der Arbeit mit ihm. Der Fräser kann

sehr heiß sein und Ihnen eine Hautverbrennung zufügen.

- Das Vorhandensein von Lappen, Tüchern, Werg, Bindfaden, Leitungen u.a. im Arbeitsbereich ist untersagt.
- Halten Sie das Netzkabel außerhalb des Arbeitsbereichs der Maschine.
- Sie dürfen mit dem Elektrowerkzeug nicht arbeiten, wenn das Netzkabel beschädigt ist. Berühren Sie das beschädigte Netzkabel nicht und ziehen Sie den Stecker aus der Steckdose heraus, wenn das Netzkabel während der Arbeit beschädigt wird. Ein beschädigtes Netzkabel erhöht das Risiko für einen Stromschlag.
- Verwenden Sie keine stumpfen oder beschädigten Fräser. Stumpfe oder beschädigte Fräser verursachen eine erhöhte Reibung, können eingeklemmt werden und führen zu Unwucht.
- Das Elektrowerkzeug soll nur bestimmungsgemäß verwendet werden. Jeder anderer Gebrauch, anders als der Gebrauch, beschrieben in dieser Instruktion, gilt als nicht bestimmungsgemäß. Die Verantwortung für jede Schädigung oder Verletzung, verursacht durch falschen Gebrauch, trägt der Betreiber und nicht der Hersteller.
- Um dieses Elektrowerkzeug richtig zu betreiben, sollten Sie die Sicherheitsregeln, die allgemeinen Instruktionen und die Betriebsanweisungen, die hier angegeben sind, beachten. Alle Betreiber sollten sich mit dieser Betriebsanweisung bekanntmachen und über die potenziellen Risiken bei der Arbeit mit dem Elektrowerkzeug informiert sein. Kinder und körperlich schwache Personen dürfen das Elektrowerkzeug nicht benutzen. Kinder sollten ständig kontrolliert werden, falls sie sich in der Nähe des Ortes, wo mit dem Elektrowerkzeug gearbeitet wird, befinden. Unbedingt sollten auch präventive Sicherheitsmassnahmen getroffen werden. Das gleiche gilt auch für die Einhaltung der Grundregeln für Berufsgesundheit und Sicherheit. Der Hersteller übernimmt keine Verantwortung für von dem Betreiber vorgenommenen Änderungen des Elektrowerkzeuges oder für Schäden, verursacht durch solche Änderungen.
- Der Hersteller trägt keine Verantwortung für die vom Verbraucher am Elektrowerkzeug vorgenommenen Änderungen oder für Schäden, die von solchen Änderungen verursacht worden sind.
- Das Elektrowerkzeug darf nicht im Freien verwendet werden wenn es regnet. Das Elektro-

werkzeug darf nicht verwendet werden auch in feuchter Umgebung (wenn es geregnet hat) oder in der Nähe von leicht entzündbaren Flüssigkeiten oder Gasen. Der Arbeitsplatz muß gut beleuchtet sein.

Elemente des Elektrowerkzeugs

Vor dem Beginn der Arbeit mit der Bohrmaschine machen Sie sich mit allen operativen Besonderheiten und Sicherheitsbedingungen bekannt. Benutzen Sie das Elektrowerkzeug und das Zubehör dazu nur zweckmäßig. Jede andere Anwendung ist ausdrücklich verboten.

1. Ein-Aus-Schalter
2. Frästiefeanschlag
3. Feststeller für die senkrechte Stellung der Konsole
4. Griffe
5. Festellschraube des Elektromotors auf der Konsole
6. Dreistufenpositionsstütze
7. Lineal für Parallelanschlag
8. Fundament
9. Spindel
10. Parallelanschlag
11. Festellschraube des Parallelanschlags
12. Senkrechte Führungen
13. Lineal für Frästiefe
14. Elektronischer Drehzahlregler
15. Staubabsaugadapter

Arbeitshinweise

Dieses Elektrowerkzeug wird mit einphasiger Wechselspannung versorgt. Man kann es an Kontaktsteckdosen ohne Schutzklemmen anschließen. Es ist nach EN 60745-1 und IEC 60745 doppelt isoliert. Die Funkstörungen entsprechen der EMV-Richtlinie zur Elektromagnetischen Verträglichkeit.

Die Oberfräsen sind Elektrohandwerkzeuge, bestimmt zum Fräsen von Nuten, Abrundungen, Fasen, Kanten, Profilen und Löcher in Holz, Holzspanplatten und Kunststoff mit Hilfe von Fräswerkzeugen.

BEVOR SIE MIT DER ARBEIT BEGINNEN

- Die Spannung der Stromquelle soll mit den Angaben auf dem Typenschild der Maschine übereinstimmen.

- Stellung des Schalters. Das Gerät wird nur bei abgeschaltetem Schalter ans Netz angeschlossen und vom Netz getrennt.
- Überzeugen Sie sich in der Ganzheit des Netzkabels und des Steckers. Falls das Netzkabel beschädigt ist, soll sein Austausch von dem Hersteller oder von Servicefachmann vorgenommen werden, um die Gefahren bei dem Austausch zu vermeiden.
- Überprüfen Sie, ob der Schaltdurchmesser des Fräasers mit dem Durchmesser der Werkzeugaufnahme und mit der Drehzahl, zulässig für das verwendete Gerät übereinstimmt.
- Stellen Sie sicher, dass der Fräser gut und fest in der Spannzange aufliegt.



WARNUNG: Schalten Sie das Elektrowerkzeug vor jeglichen Einstellungs-, Wartungs- und Reparaturarbeiten aus und trennen Sie es vom Netz. Das gleiche gilt bei Stromausfall (Gefahr des unbeabsichtigten Wiederanlaufens).

Die Oberfräse ist zum Einsatz von Fräser mit einem Schaftdurchmesser von 6 und 8 mm vorgesehen. Der max. Durchmesser des Arbeitsteils des Fräasers darf $\varnothing 30$ mm nicht überschreiten. Die hohe Drehzahl erfordert Fräsen von hoher Qualität mit entsprechend hoher Lebensdauer. (z. B. Fräsen aus schnellschneidendem Stahl (HSS) oder besser Fräsen mit Schneideteilen aus hartlegierten Einsätze (HM)).

Nur Werkzeuge (Fräser) verwenden, deren Schaftdurchmesser mit dem Durchmesser der Spannzange übereinstimmt, und die für die Drehgeschwindigkeit des Geräts geeignet sind.

EIN- UND AUSSCHALTEN

- Einschalten: Den Schieber des Schalters 1 nach vorn schieben, bis sich sein Vorderteil versenkt und einrastet.
- Ausschalten: Den hinteren angehobenen Teil des Schalters 1 drücken und von selbst in die Ursprungstellung gleiten lassen.



WARNUNG: Bei einer Außentemperatur unter 0°C wird die Oberfräse nur auf der Stellung „G“ des elektronischen Reglers für senkrechten Hub betrieben. Nach einigen Minuten im Leerlauf kann die Maschine auch auf den anderen Stellungen des Reglers arbeiten.

DREHZAHLEGLUNG

Die Einstellung der Drehzahl erfolgt stufenlos von A bis G durch Drehen am Potentiometer des elektronischen Reglers 14, der sich im hinteren Teil der Motorklappe befindet.

EINSTELLEN DER HANDGRIFFE

Handgriffe einzeln ziehen und in die für die Arbeit bequeme Stellung drehen, danach Handgriffe loslassen.

WERKZEUGSWECHSEL

Den Elektromotor durch Herausdrehen der Befestigungsschraube 5 von der tragenden Konsole lösen.

Mit Schraubenschlüsseln S17 und S14 die Mutter III abdrehen und das Werkzeug von der Spindel 9 abnehmen.

Das neue Werkzeug in die Zange II legen und die Mutter III fest anziehen.

Den Elektromotor in die tragende Konsole wieder einlegen und die Befestigungsschraube 5 fest anziehen.

EINSTELLEN DER FRÄSTIEFE

Die tragende Konsole herunterstellen bis das Werkzeug das Werkstück berührt, durch den Feststeller 3 arretieren und die Stellung an der senkrechten Skala 13 als Nullstellung (Beginn) ablesen.

Die erste Tiefenstufe mit dem Anschlag 2, der gegen den höchsten Stand der Dreistufenpositionsstütze 6 gerichtet ist, einstellen, indem der Meßwert an der senkrechten Skala 13 abgelesen wird und die tragende Konsole mit dem Feststeller 3 arretieren. Den Anschlag 2 mit dem Flügelbolzen feststellen - (die drei Stufen der Dreistufenpositionsstütze vorgehend auf die gewünschten Niveaus einstellen).

Die zweite und dritte Stufe der Frästiefe wird nur erreicht, wenn die Scheibe der Dreistufenpositionsstütze 6 verdreht und die tragende Konsole bis zur Erreichung des entsprechenden Niveaus verschoben wird.

Kontrollieren Sie die Maße auf der senkrechten Skala oder mittels eines Prüf (Muster)-Körpers.

ARBEITEN MIT PARALLELANSCHLAG

Die parallele Führung 10 dient zum Fräsen von Kanten und Kanälen im parallelen Abstand. Die Einstellung des Abstandes erfolgt mit der horizontalen Skala 7, wonach der Parallelanschlag 10 durch die Bolzen 11 festgestellt wird.

FRÄSEN NACH EINER ZEICHNUNG (SKIZZE)

Das Fräsen erfolgt ohne Parallelanschlag 10 nach im voraus gezeichneter Skizze auf dem bearbeitenden Werkstück. Gute Ergebnisse werden an kürzeren Strecken erzielt.

FRÄSEN VON GROSSEN WERKSTÜCKEN

Für die Führung der Oberfräse ein Hilfsbrett benutzen, das auf der zu bearbeitenden Fläche befestigt wird. Das Gerät mit beiden Händen führen, wobei die flache Seite auf dem Fundament 8 mit dem Hilfsbrett angeedrückt wird.

FRÄSEN MIT ABSAUGEN

Den Adapter ins Netz vom Fundament 8 von unten her mit dem Zylinderteil nach vorn einstecken. Den Adapter mit den beiden Bolzen am Fundament feststellen und die durchsichtige Scheibe einsetzen. Der Innendurchmesser des Adapters zur Verbindung mit dem Staubsauger ist 35 mm.

ZUBEHÖR, DAS MIT DIESEM ELEKTROWERKZEUG BENUTZT WERDEN KANN

- Fräser aus schnellschneidendem Stahl HSS - Ø6; Ø8
- Fräser mit Schneideteilen aus hartlegierten Einsätzen HM - Ø6; Ø8

Wartung



WARNUNG: Vor jeder Wartung oder Überprüfung das Elektrowerkzeug immer ausschalten und den Stecker aus der Steckdose ziehen.

AUSWECHSELN DER BÜRSTEN

Das Elektrowerkzeug ist mit Selbstausschaltenden Bürsten ausgerüstet. Wenn die Bürsten abgenutzt sind, schaltet sich die Maschine von selbst aus. In solchem Fall sollen beide Bürsten gleichzeitig durch Originalbürsten im SPARKY – Kundendienst ausgewechselt werden.

ALLGEMEINE ÜBERPRÜFUNG

Überprüfen Sie regelmäßig alle Befestigungselemente um sich zu überzeugen, dass sie fest angezogen sind. Falls einige der Schrauben lose sind, sofort festziehen, um Risikosituationen zu vermeiden.

Falls das Versorgungskabel beschädigt ist, darf es nur vom Hersteller oder einem autorisierten Servicefachmann ausgetauscht werden um eventuelle Gefährdungen zu vermeiden.

REINIGUNG

Für den sicheren Betrieb die Maschine und die Belüftungsöffnungen immer sauber halten.

Regelmäßig überprüfen, ob in die Belüftungsöffnungen des Motors oder um die Umschalter Staub oder Fremdkörper eingedrungen sind. Weichte Bürste und/oder Druckluft für die Entfernung des Staubes verwenden. Um die Augen während der Reinigung zu schützen, Schutzbrille tragen.

Die Gewindeöffnungen sauber halten.

Die senkrechten Führungen 12 regelmäßig reinigen und mit Öl abschmieren.

Das Gehäuse der Maschine gegebenenfalls mit einem weichen feuchten Tuch abwischen. Hierfür kann zusätzlich eine schwache Reinigungslösung (Spülmittel) verwendet werden.



WARNUNG: Die Verwendung von Benzin oder anderen Lösungsmitteln ist unzulässig. Nie ätzende Präparate für die Reinigung der Kunststoffteile verwenden.



WARNUNG: Vermeiden Sie unbedingt das Wasser in die Maschine (z.B. durch die Lüftungsschlitze) eindringt.

WICHTIG! Um einen sicheren Betrieb des Elektrowerkzeuges und seine Zuverlässigkeit zu gewährleisten, sollten alle Arbeiten zur Reparatur, Wartung und Regelung (einschl. auch die Überprüfung und das Auswechseln der Bürsten) nur in den zuständigen Kundendienst von SPARKY beim Verwenden von Originalersatzteilen durchgeführt werden.

Garantie

Die Garantiefrist der SPARKY-Elektrowerkzeuge wird im Garantieschein bestimmt.

Schäden, die auf natürliche Abnutzung, Überlastung oder unsachgemäße Handhabung zurückzuführen sind, bleiben von der Garantie ausgeschlossen.

Schäden, die durch Material- und/oder Herstellerfehler entstanden sind, werden unentgeltlich durch Ersatzlieferung oder Reparatur beseitigt. Beanstandungen bezüglich eines beschädigten SPARKY-Elektrowerkzeugs können nur anerkannt werden, wenn das Gerät unzerlegt (im ursprünglichen Zustand) dem Lieferanten oder der befugten Kundendienstwerkstatt vorgelegt wird.

Hinweise

Lesen Sie sorgfältig die ganze Betriebsanleitung bevor Sie beginnen, das Erzeugnis zu verwenden.

Der Hersteller behält sich das Recht vor, Verbesserungen und Änderungen in seinen Erzeugnissen einzuführen und die Spezifikationen ohne Voranmeldung zu ändern.

Die Spezifikationen können sich in den verschiedenen Ländern unterscheiden.

Sommaire

Introduction	18
Données techniques	20
Avertissements de sécurité généraux pour l'outil.....	21
Avertissements de sécurité lors du travail avec des défonceuses.....	22
Présentation de la machine	A/24
Indications de travail	24
Maintenance	25
Garantie	27

DEBALLAGE

Grâce aux techniques modernes de fabrication, il est improbable que votre outil soit défectueux ou qu'une pièce soit manquante. Si toutefois vous trouvez une anomalie, n'utilisez pas l'outil avant que les pièces aient été remplacées ou le défaut corrigé. Ne pas observer cette règle pourrait causer des blessures graves.

MONTAGE

La défonceuse est livrée montée dans son emballage, à l'exception de l'adaptateur d'extraction de poussière et le guide parallèle.

Introduction

Votre nouvel outil a été conçu et produit selon tous les standards de qualité pour répondre aux exigences les plus élevées. Son exploitation est facile et sécurisée. Et avec une utilisation correcte il vous servira longtemps.

AVERTISSEMENT!



Lire attentivement cette notice originale avant d'utiliser votre nouvel outil. Prêter attention aux sections «Avertissement». Votre outil électrique possède des caractéristiques qui facilitent votre travail.

Cet instrument a été conçu et produit selon toutes les exigences de sécurité pour que son usage et son entretien soient faciles.



Ne pas jeter les outils électroportatifs avec les ordures ménagères!

Les déchets provenant d'outils électroportatifs ne doivent pas être ramassés avec les ordures ménagères. Prière de recycler sur les lieux qui y sont spécialement destinés. Contacter les autorités locales ou un représentant pour des consultations concernant le recyclage.

RESPECT DE L'ENVIRONNEMENT



Récupération des matières premières plutôt qu'élimination des déchets. En vue à la protection de l'environnement, les appareils, comme d'ailleurs leurs accessoires et emballages, doivent pouvoir suivre chacun une voie de recyclage appropriée. Nos pièces en matières artificielles ont été marquées en vue d'un recyclage sélectif des différents matériaux.

LÉGENDE

L'outil électrique porte une plaque décrivant les signes spéciaux. Ils apportent une information importante quant au produit ou des instructions d'utilisation.



Double isolation pour une meilleure sécurité.



Variateur électronique de la vitesse avec présélection par molette.



Raccordement à un aspirateur



Conforme aux directives européennes applicables.



Conforme aux exigences des règlements de l'Union douanière.



En conformité avec les exigences des standards ukrainiens.



Lisez la notice originale.

YYYY-Www Période de production, où, les symboles variables sont les suivants :
YYYY - année de production,
ww – le numéro de la semaine du calendrier.

X Defonceuse.

Données techniques

Modèle	X 52E
Puissance absorbée	500 W
Vitesse à vide	8000-33000 min ⁻¹
Variateur électronique de la vitesse avec présélection par molette	oui
Raccordement à un aspirateur	oui
Diamètre de fraises	Ø6; Ø8 mm
Profondeur maximale de fraisage	52 mm
Poids (EPTA procédure 01/2014)	2.8 kg
Classe de protection (EN 60745-1) 	II

INFORMATION CONCERNANT LE BRUIT ET LES VIBRATIONS

Valeurs de mesure obtenues conformément à la EN 60745.

Informations sur le bruit

Le mesure réelle (A) de niveau de pression acoustique L_{pA}	82.0 dB (A)
Incertitude K_{pA}	3.0 dB (A)
Le mesure réelle (A) de niveau d'intensité acoustique L_{WA}	93.0 dB (A)
Incertitude K_{WA}	3.0 dB (A)

Porter une protection acoustique!

Informations sur les vibrations *

Valeurs totales des vibrations (somme vectorielle de trois sens) établies conformément à EN 60745:

Fraisage de canaux dans de panneaux de copeaux de bois	
Valeur d'émission vibratoire a_n	3.5 m/s ²
Incertitude K	1.5 m/s ²

* Les valeurs des vibrations sont déterminées conformément à la 6.2.7 EN 60745.

L'amplitude d' l'accélération indiquée dans ces instructions d'utilisation a été mesurée suivant les méthodes de mesurage conformément à la norme EN 60745 et peut être utilisée pour une comparaison d'appareils. Le niveau de vibration peut être utilisé pour faire une estimation provisoire du degré d'influence vibratoire.

Le niveau de vibration annoncé concerne la fonction principale de l'outil. Dans des cas où l'outil est destinée à une autre utilisation ou avec d'autres accessoires, ou s'il est mal entretenu, le niveau de vibration peut s'écarter de celui qui a été indiqué. Si c'est le cas, le degré d'influence peut fortement augmenter au cours de l'utilisation

Pour une estimation précise de l'influence vibratoire pendant un certain temps d'utilisation, il est recommandé de prendre aussi en considération les espaces de temps pendant lesquels l'appareil est éteint ou sous tension, mais pas vraiment utilisé. Ceci peut réduire considérablement l'influence vibratoire pendant toute la durée du travail.

Entretenez l'outil et ses accessoires en bon état. Gardez vos mains chaudes au cours de son utilisation – cela va diminuer les conséquences négatives lorsque vous travaillez à des hauts degrés de vibrations.

Les poussières de matériaux tels que peintures contenant du plomb, certains bois, minéraux ou métaux, peuvent être nuisibles à la santé. Toucher ou aspirer les poussières peut entraîner des réactions allergiques et/ou des maladies respiratoires auprès de l'utilisateur ou de personnes se trouvant à proximité.

Certaines poussières telles que les poussières de chêne ou de hêtre sont considérées cancérigènes, surtout en connexion avec des additifs pour le traitement de bois (chromate, lazure). Les matériaux contenant de l'amiante ne doivent être travaillés que par des personnes qualifiées.

- Si possible, utilisez une aspiration des poussières.

- Afin d'atteindre un haut degré d'aspiration de la poussière, lors du travail avec cet outil électroportatif utilisez un aspirateur spécialement adapté pour l'aspiration de poussière de bois ou pour l'aspiration de poussière de bois et/ou poussière de minéraux.
 - Veillez à bien aérer la zone de travail.
 - Il est recommandé de porter un masque respiratoire de la classe de filtre P2.
- Respectez les règlements en vigueur dans votre pays spécifiques aux matériaux à traiter.

Avertissements de sécurité généraux pour l'outil



AVERTISSEMENT! Lire tous les avertissements de sécurité et toutes les instructions. Ne pas suivre les avertissements et instructions peut donner lieu à un choc électrique, un incendie et/ou une blessure sérieuse.

Conserver tous les avertissements et toutes les instructions pour pouvoir s'y reporter ultérieurement.

Le terme «outil» dans les avertissements fait référence à votre outil électrique alimenté par le secteur (avec cordon d'alimentation) ou votre outil fonctionnant sur batterie (sans cordon d'alimentation).

1) Sécurité de la zone de travail

- Conserv**er la zone de travail propre et bien éclairée. Les zones en désordre ou sombres sont propices aux accidents.
- Ne pas faire fonctionner les outils électriques** en atmosphère explosive, par exemple en présence de liquides inflammables, de gaz ou de poussières. Les outils électriques produisent des étincelles qui peuvent enflammer les poussières ou les fumées.
- Maintenir les enfants et les personnes présentes** à l'écart pendant l'utilisation de l'outil. Les distractions peuvent vous faire perdre le contrôle de l'outil.

2) Sécurité électrique

- Il faut que les fiches de l'outil électrique soient adaptées au socle.** Ne jamais modifier la fiche de quelque façon que ce soit. Ne pas utiliser d'adaptateurs avec des outils à branchement de terre. Des fiches non modifiées et des socles adaptés réduiront le risque de choc électrique.
- Eviter tout contact du corps avec des**

surfaces reliées à la terre telles que les tuyaux, les radiateurs, les cuisinières et les réfrigérateurs. Il existe un risque accru de choc électrique si votre corps est relié à la terre.

- Ne pas exposer les outils à la pluie ou à des conditions humides.** La pénétration d'eau à l'intérieur d'un outil augmentera le risque de choc électrique.
 - Ne pas maltraiter le cordon.** Ne jamais utiliser le cordon pour porter, tirer ou débrancher l'outil. Maintenir le cordon à l'écart de la chaleur, du lubrifiant, des arêtes ou des parties en mouvement. Des cordons endommagés ou emmêlés augmentent le risque de choc électrique.
 - Lorsqu'on utilise un outil à l'extérieur,** utiliser un prolongateur adapté à l'utilisation extérieure. L'utilisation d'un cordon adapté à l'utilisation extérieure réduit le risque de choc électrique.
 - Si l'usage d'un outil dans un emplacement humide est inévitable,** utiliser une alimentation protégée par un dispositif à courant différentiel résiduel (RCD). L'usage d'un RCD réduit le risque de choc électrique.
- ### 3) Sécurité des personnes
- Rester vigilant, regarder ce que vous êtes en train de faire et faire preuve de bon sens** dans votre utilisation de l'outil. Ne pas utiliser un outil lorsque vous êtes fatigué ou sous l'emprise de drogues, d'alcool ou de médicaments. Un moment d'inattention en cours d'utilisation d'un outil peut entraîner des blessures graves des personnes.
 - Utiliser un équipement de sécurité.** Toujours porter une protection pour les yeux. Les équipements de sécurité tels que les masques contre les poussières, les chaussures de sécurité antidérapantes, les casques ou les protections acoustiques utilisés pour les conditions appropriées réduiront les blessures de personnes.
 - Eviter tout démarrage intempestif.** S'assurer que l'interrupteur est en position

arrêt avant de brancher l'outil au secteur et/ou au bloc de batteries, de le ramasser ou de le porter. Porter les outils en ayant le doigt sur l'interrupteur ou brancher des outils dont l'interrupteur est en position marche est source d'accidents.

- d) Retirer toute clé de réglage avant de mettre l'outil en marche. Une clé laissée fixée sur une partie tournante de l'outil peut donner lieu à des blessures de personnes.
 - e) Ne pas se précipiter. Garder une position et un équilibre adaptés à tout moment. Cela permet un meilleur contrôle de l'outil dans des situations inattendues.
 - f) S'habiller de manière adaptée. Ne pas porter de vêtements amples ou de bijoux. Garder les cheveux, les vêtements et les gants à distance des parties en mouvement. Des vêtements amples, des bijoux ou les cheveux longs peuvent être pris dans des parties en mouvement.
 - g) Si des dispositifs sont fournis pour le raccordement d'équipements pour l'extraction et la récupération des poussières, s'assurer qu'ils sont connectés et correctement utilisés. Utiliser des collecteurs de poussière peut réduire les risques dus aux poussières.
- 4) Utilisation et entretien de l'outil
- a) Ne pas forcer l'outil. Utiliser l'outil adapté à votre application. L'outil adapté réalisera mieux le travail et de manière plus sûre au régime pour lequel il a été construit.
 - b) Ne pas utiliser l'outil si l'interrupteur ne permet pas de passer de l'état de marche à arrêt et vice versa. Tout outil qui ne peut pas être commandé par l'interrupteur est dangereux et il faut le réparer.
 - c) Débrancher la fiche de la source d'alimentation en courant et/ou le bloc de batteries de l'outil avant tout réglage, changement d'accessoires ou avant de ranger l'outil. De telles mesures de sécurité préventives réduisent le risque de démarrage accidentel de l'outil.
 - d) Conserver les outils à l'arrêt hors de la portée des enfants et ne pas permettre à des personnes ne connaissant pas l'outil ou les présentes instructions de le faire fonctionner. Les outils sont dangereux entre les mains d'utilisateurs novices.
 - e) Observer la maintenance de l'outil. Vérifier qu'il n'y a pas de mauvais alignement ou de blocage des parties mobiles, des pièces cassées ou toute autre condition pouvant affecter le fonction-

nement de l'outil. En cas de dommages, faire réparer l'outil avant de l'utiliser. De nombreux accidents sont dus à des outils mal entretenus.

- f) Garder affûtés et propres les outils permettant de couper. Des outils destinés à couper correctement entretenus avec des pièces coupantes tranchantes sont moins susceptibles de bloquer et sont plus faciles à contrôler.
 - g) Utiliser l'outil, les accessoires et les lames etc., conformément à ces instructions, en tenant compte des conditions de travail et du travail à réaliser. L'utilisation de l'outil pour des opérations différentes de celles prévues pourrait donner lieu à des situations dangereuses.
- 5) Maintenance et entretien
- a) Faire entretenir l'outil par un réparateur qualifié utilisant uniquement des pièces de rechange identiques. Cela assurera que la sécurité de l'outil est maintenue.

Avertissements de sécurité lors du travail avec des défonceuses



Portez une protection acoustique. L'influence du bruit peut provoquer la surdité.

- Utiliser toujours les deux poignées pendant le travail. La perte du contrôle peut provoquer un accident.



Pendant le travail utiliser des moyens de protection des yeux pour vous protéger des particules volantes. Porter des lunettes de protection.



Prévoir des précautions contre le risque d'aspiration de poussière. Les matériaux percés peuvent contenir des composants toxiques. Porter un masque anti-poussière. Si possible, brancher sur la machine un système d'évacuation de poussière.

- Tenir l'outil uniquement par les surfaces de préhension isolantes, pendant les opérations au cours desquelles l'accessoire coupant peut être en contact avec des conducteurs cachés ou avec son propre câble. Le contact de l'accessoire coupant avec un fil „sous tension” peut également mettre „sous

tension" les parties métalliques exposées de l'outil électrique et provoquer un choc électrique sur l'opérateur.

- **Utiliser des pinces ou tout autre moyen pratique pour fixer et supporter la pièce à travailler sur une plateforme stable.** *La tenue de la pièce à travailler à la main ou contre le corps la rend instable et peut conduire à une perte de contrôle de l'outil.*
- Ne traitez pas les matériaux qui contiennent de l'amiante. L'amiante est considérée comme une matière cancérigène.
- Il est recommandé d'utiliser des gants de protection.



AVERTISSEMENT: Avant de brancher l'outil électrique au réseau d'alimentation électrique, assurez-vous que la tension de celui-ci est bien celle indiquée sur la plaquette contenant les caractéristiques techniques de cet outil électrique.

- Une source de courant à tension plus élevée que celle indiquée pour l'outil peut causer à l'opérateur de sérieux dommages dus au courant électrique et en outre endommager l'outil.
- Si vous avez des hésitations à ce sujet, ne branchez pas l'outil au réseau électrique.
- L'utilisation d'une source d'alimentation à tension plus basse que celle indiquée sur la plaquette de l'appareil électrique endommagera celui-ci.
- Afin d'éviter une éventuelle surchauffe, déroulez toujours jusqu'au bout le câble de rallonge à dérouler.
- Lorsqu'il est nécessaire d'utiliser une rallonge, assurez-vous que la section du câble est conforme à la force du courant consommé par l'appareil électrique utilisé et que la rallonge est en parfait état.



AVERTISSEMENT: Arrêtez toujours l'appareil et débranchez-le du réseau avant d'effectuer sur celui-ci tout réglage et opération de service ou d'entretien, de même qu'en cas de baisse de tension du courant dans le secteur.

- Avant de commencer le fraisage du détail choisi vérifiez que tous les corps étrangers, clous, vis, etc. sont bien éliminés du détail. Si la fraise s'engage à un corps métallique vous risquez d'endommager la fraise ou la défonceuse ainsi que de provoquer un accident.

- Ne pas mettre en marche la défonceuse que si elle est à vide. Avant d'enclencher la machine assurez-vous que la fraise ne touche pas la surface à travailler.
- Utilisez toujours les deux poignées pour guider la défonceuse. Avant toute opération assurez-vous que vous tenez bien la machine.
- En cas d'arrêt il faut bien attendre que la fraise soit complètement arrêtée avant de lever l'outil de la surface usinée.
- Évitez de toucher la fraise à la fin du travail. Vous risquez de vous brûler, car la fraise peut être très chaude.
- L'aire de travail doit être libérée des torchons, chiffons, étoupe, ficelles, cordons etc.
- Tenez le câble d'alimentation électrique de l'appareil à l'écart de l'aire de travail de celui-ci.
- N'utilisez pas l'appareil électrique lorsque son câble est endommagé. Ne touchez pas le câble endommagé et enlevez la fiche de la prise si le câble vient à subir un dommage dans le courant du travail. Les câbles endommagés augmentent le risque d'électrocution.
- Ne pas utiliser d'outils de fraisage émoussés ou endommagés. Les outils de fraisage émoussés ou endommagés provoquent une friction trop élevée, peuvent être coincés et entraînent un défaut d'équilibre.
- L'appareil doit être utilisé uniquement pour les travaux pour lesquels il a été prévu. Toute autre utilisation, différente que celle décrite dans la présente instruction, doit être considérée comme abusive. Le producteur décline toute responsabilité en cas de dommage ou de blessure causée par une utilisation abusive, cette responsabilité étant alors entièrement portée par l'utilisateur.
- Afin d'utiliser l'appareil correctement, vous devez respecter les règles de sécurité, les consignes générales et celles concernant l'exploitation qui figurent dans le présent document. Tous les utilisateurs doivent avoir pris connaissance de cette instruction d'utilisation et être informés sur les risques potentiels lors du travail avec l'appareil électrique. Les enfants et les personnes ne possédant pas la force physique nécessaire ne doivent pas utiliser l'appareil. Les enfants se trouvant dans la zone de travail doivent être sous une surveillance incessante. Il est indispensable que vous preniez également des mesures de sécurité préalables. Ceci est également valable pour les principales consignes concernant la salubrité du travail et la sécurité.

- Le producteur décline toute responsabilité en cas de modifications apportées à l'appareil électrique qui ont endommagé celui-ci.
- L'appareil électrique ne doit être utilisé à l'extérieur lorsqu'il pleut, dans un milieu humide (après la pluie) ou à proximité de liquides et de gaz facilement inflammables. Le lieu de travail doit être bien éclairé.

Présentation de la machine

Avant de commencer le travail avec la machine il faut connaître tous les spécificités d'exploitation et les consignes de sécurité.

Utiliser la machine et ses accessoires conformément à leur destination. Toute autre utilisation est interdite.

1. Interrupteur
2. Butée de profondeur
3. Vis de fixation pour position verticale de la tourelle
4. Poignées
5. Vis de serrage du moteur électrique sur la tourelle
6. Tête de défonçage à trois positions
7. Deux colonnes guides pour plongée verticale
8. Semelle
9. Arbre
10. Guide-outil vertical
11. Vis de serrage du guide-outil vertical
12. Guides latéraux
13. Règle de la profondeur de fraisage
14. Variateur électronique de la vitesse avec préselection par molette
15. Adaptateur d'aspiration de poussières

Indications de travail

Ces appareils électriques sont alimentés uniquement par un courant alternatif monophasé. Ils possèdent une double isolation, conformément à EN 60745-1 et IEC 60745 et peuvent être branchés à des prises qui ne possèdent pas de bornes de protection. Pour ce qui est des interférences radio, il est conforme aux la directive sur la compatibilité électromagnétique.

Les fraises à bois sont des outils électriques manuels, destinés au fraisage de rainures, arrondissements, chanfreins, arêtes, bords à profil et d'ouvertures dans le bois, les plaques en bois et le plastique, à l'aide de fraises filetées et à profil.

AVANT DE COMMENCER LE TRAVAIL

- La tension de la source de courant doit correspondre à celle indiquée sur la plaque signalétique de la machine.
- Ne raccorder la machine au réseau d'alimentation que lorsque celle-ci se trouve à l'arrêt: interrupteur en position relâchée.
- Vérifier le bon état du câble d'alimentation et sa fiche. Un câble défectueux devra être remplacé par le producteur ou une station service autorisée afin d'éliminer tout risque d'un remplacement inapproprié.
- Vérifier si le diamètre de la queue de fraise correspond au diamètre du mandrin utilisé ainsi que et le type de la fraise correspond à la vitesse maximum admissible de l'outil.
- Vérifier que la fraise est bien fixée dans le mandrin.



AVERTISSEMENT: Arrêtez toujours l'appareil électrique et débranchez-le du réseau avant d'effectuer sur celui-ci tout réglage et opération de service ou d'entretien ou lors d'une baisse de la tension dans le réseau d'alimentation.

L'appareil est conçu pour des fraises filetées de haute précision de 6 et 8 mm. Le diamètre maximal de la partie opérationnelle de la fraise ne doit pas dépasser Ø30 mm. Une vitesse de rotation élevée, implique l'utilisation de fraises de haute qualité et d'une durée de vie suffisante (par exemple, en acier pour coupe rapide (HSS) ou encore mieux, dont la partie tranchante est une plaque d'alliages durs (HM).

Utiliser des outils (des fraises) avec un diamètre approprié de la queue, destiné à la fraise correspondante, et appropriés à la vitesse de rotation de l'outil électrique.

MISE EN MARCHÉ - ARRÊT

- Mise sous tension: L'interrupteur 1 est poussé en avant jusqu'à l'enfoncement et le blocage de sa partie frontale.
- Mise hors tension: Appuyer sur l'extrémité arrière de l'interrupteur 1 et le relâcher; il re-

trouve automatiquement sa position initiale.



AVERTISSEMENT: Lorsque la température à l'extérieur est au-dessous de 0°, s'assurer que le bouton du régulateur électronique est en position «G», avant toute utilisation de la défonceuse. Après quelques minutes de fonctionnement à vide, sélectionner les autres positions.

RÉGLAGE DE LA VITESSE

La modification de la vitesse de rotation s'effectue progressivement de A à G, en faisant tourner le bouton du régulateur électronique 14, se trouvant sur la partie postérieure du moteur.

RÉGLAGE DES POGNÉES

Tirer les poignées une à une et les fixer dans une position convenable pour le travail, et lâcher les poignées ensuite.

CHANGEMENT DE L'OUTIL

Pour plus de commodités, enlever le moteur électrique de la tourelle en dévissant la vis de fixation 5.

à l'aide des clés à écrou S17 et S14, dévisser l'écrou II et enlever l'outil IV de l'arbre. Placer le nouvel outil dans le mandrin de serrage II et visser correctement l'écrou III. Remettre le moteur en place sur la tourelle et serrer correctement la vis de fixation 5.

AJUSTAGE DE LA PROFONDEUR DE FRAISAGE

Faire descendre la tourelle jusqu'à ce que la fraise touche la surface de la pièce à usiner, puis fixer-la à l'aide de la vis de fixation 3 et évaluer la position de travail de départ sur la règle verticale.

Ajuster le premier degré de profondeur à l'aide de la butée 2, placée sur la tête de défonceage à trois positions 6, en évaluant la dimension sur la règle verticale 13 et fixer la tourelle à l'aide de la fixation 3.

Fixer la butée 2 à l'aide de la vis à ouïes (ajuster les trois positions d'appui au préalable).

Le deuxième et le troisième degré de profondeur de fraisage ne peuvent être obtenus qu'en faisant tourner la tête de défonceage à trois positions 6 et en avançant la tourelle jusqu'à ce que la butée 2 touche le niveau de la semelle.

Contrôler les dimensions sur la règle verticale ou à l'aide d'une pièce témoin.

UTILISATION DU GUIDE-OUTIL

Utiliser le guide-outil 10 pour le fraisage d'arêtes et rainures linéaires.

Ajuster la distance à l'aide de la règle horizontale 7, ensuite fixer le guide-outil linéaire à l'aide des vis 11.

FRAISAGE SUR PLAN (CROQUIS)

Le fraisage s'effectue sans guide-outil 10 suivant le croquis préalablement dessiné sur la pièce.

Procéder par petites longueurs, ceci vous garantissant de meilleurs résultats.

FRAISAGE DE GROSSES PIÈCES

Utiliser une planche d'appoint sur laquelle que vous fixerez la pièce à usiner. Guider la défonceuse à deux mains, en appuyant la planche d'appui sur la partie plate de la semelle 8.

FRAISAGE AVEC SYSTÈME D'ASPIRATION DE POUSSIÈRES

Placer l'adaptateur dans l'orifice prévu à cet effet et situé sur la partie arrière de la semelle (embout cylindrique vers l'avant). A l'aide des deux vis, fixer l'adaptateur sur la semelle et placer le déflecteur transparent. Le diamètre intérieur de l'adaptateur permet de d'utiliser un aspirateur de 35 mm de diamètre.

ACCESSOIRES À UTILISER AVEC LA MACHINE

- Fraises pour coupe rapide HSS - Ø6; Ø8
- Fraises avec plaque d'alliages durs HM - Ø6; Ø8

Maintenance



AVERTISSEMENT: Arrêtez toujours l'appareil et débranchez-le du réseau avant d'effectuer sur celui-ci tout réglage et opération de service ou d'entretien.

REPLACEMENT DES BALAIS

L'appareil est doté de balais qui se déconnectent automatiquement. Lorsque les balais sont usés, l'appareil se déconnecte de lui-même. Dans un tel cas, il faut remplacer à la fois les deux balais par des balais d'origine de SPARKY pour l'entretien de l'appareil dans le cadre de la garantie ou en dehors de celle-ci.

EXAMEN GENERAL

Vérifiez régulièrement tous les éléments de fixation pour vous assurer qu'ils sont solidement serrés. Si quelque vis s'est desserrée, resserrez-la immédiatement afin d'éviter tout risque.

Si le câble d'alimentation est endommagé, il doit être remplacé par le producteur ou un spécialiste agréé par celui-ci afin d'éviter les éventuels risques liés à son remplacement.

NETTOYAGE

Pour assurer un fonctionnement sécurisé, entretenez toujours l'appareil et ses orifices de ventilation propres.

Vérifiez régulièrement si dans les orifices de ventilation du moteur électrique ou autour des commutateurs il n'y a pas de poussière ni de corps étrangers. Utilisez une brosse douce et/ou un jet d'air comprimé pour éliminer la poussière accumulée à ces endroits. Afin de protéger vos yeux, lors des opérations de nettoyage, portez des lunettes de protection.

Veiller à ce que les orifices filetés soient propres. Les colonnes 12 doivent être régulièrement nettoyées et graissées.

Si le boîtier de l'appareil a besoin d'être nettoyé, essuyez-le à l'aide d'un chiffon doux humide. Vous pouvez utiliser un produit de nettoyage peu agressif.



AVERTISSEMENT: Il est interdit d'utiliser de l'alcool, de l'essence ou d'autres solvants. N'utilisez jamais des produits agressifs pour le nettoyage des pièces en matière plastique.



AVERTISSEMENT: Ne pas permettre à de l'eau à entrer en contact avec l'appareil.

AVIS IMPORTANT! Afin d'assurer la sécurité du travail avec l'appareil et le fonctionnement fiable de celui-ci, toutes les opérations de réparation, d'entretien et de réglage (y compris la vérification de l'état des balais et leur remplacement) doivent être effectuées dans les centres d'entretien agréés de SPARKY avec l'utilisation exclusive de pièces d'origine.

Garantie

La période de garantie des outils électroportatifs SPARKY est définie dans le contrat de garantie.

La garantie ne couvre pas les pannes apparues suite à l'usure naturelle, une surcharge ou une mauvaise exploitation.

Les pannes survenues pour cause de matériaux défectifs et/ou d'erreurs de fabrication seront réparées gratuitement ou le produit sera échangé.

Les réclamations pour un instrument SPARKY défectueux seront honorées si la machine est retournée au livreur ou est présentée à un service après-vente agréé assemblé et dans son état original (assemblée).

Notes

Lire attentivement les instructions avant d'utiliser ce produit.

Le producteur retient son droit d'améliorer ses produits et de changer les spécifications sans avis spécial.

Les spécifications peuvent varier selon le pays.

Indice

Introduzione	28
Caratteristiche tecniche	30
Istruzioni generali di sicurezza nel lavoro con elettroutensili	31
Istruzioni supplementari di sicurezza nel lavoro con fresatrici	32
Prendere visione dell'elettroutensile	A/33
Istruzioni per l'uso	33
Manutenzione	35
Garanzia	36

PRIMA DELL'USO

Prima dell'uso verificare la presenza di tutti i componenti e degli accessori elencati. In caso di mancanze o apparenti difetti rivolgersi al rivenditore specializzato. L'inosservanza di tale raccomandazione potrebbe provocare gravi incidenti.

ASSEMBLAGGIO

La fresatrice viene fornita imballata e montata, ad eccezione dell'adattatore per depolverizzazione e la guida parallela.

Introduzione

Questo utensile SPARKY supererà le Vostre aspettative. La produzione secondo i rigorosi standard di qualità SPARKY assicura un'ottima prestazione. Se utilizzato correttamente, l'utensile risulterà maneggevole e sicuro, e garantirà un uso duraturo.

AVVERTENZA:



Leggere attentamente tutte le istruzioni prima dell'utilizzo dell'utensile. Leggere con cura soprattutto le parti introdotte da "Avvertenza". Questo utensile SPARKY presenta numerose caratteristiche che faciliteranno il Suo lavoro. Sicurezza, qualità ed affidabilità sono punti chiave nello sviluppo di questo utensile, e lo rendono semplice nell'uso e nella manutenzione.



Non smaltire elettroutensili insieme a rifiuti domestici!

Residui di prodotti elettrici devono essere smaltiti separatamente dai rifiuti domestici e sottoposti ad un riciclaggio ecologico. Si prega di informarsi presso le autorità locali o i rivenditori specializzati circa il più vicino luogo di raccolta.

RISPETTO DELL'AMBIENTE



Macchina, accessori ed imballaggio devono essere destinati ad una riutilizzazione ecologica per il recupero di materie prime.

I componenti in plastica sono contrassegnati per relativo riciclaggio.

SIMBOLI

L'etichetta che si trova sulla macchina contiene alcuni simboli. Questi forniscono importanti informazioni sull'utensile o istruzioni sull'uso dello stesso.



Doppio isolamento per una protezione supplementare.



Elettronica per la preselezione della velocità.



Collegamento ad aspirapolvere.



Conforme alle direttive europee applicabili.



Corrisponde alle esigenze dei regolamenti dell'unione doganale.



Conforme alle esigenze dei documenti normativi ucraini.




Prendere conoscenza del manuale d'uso.

YYYY-Www Periodo di produzione, ove i simboli variabili sono:
YYYY – l'anno di produzione,
ww – la settimana consecutiva del calendario.

X Fresatrice.

Caratteristiche tecniche

Modello	X 52E
Potenza assorbita	500 W
Numero di giri a vuoto	8000-33000 min ⁻¹
Elettronica per preselezione dei giri	sì
Collegamento ad aspirapolvere	sì
Diametro delle bussole di chiusura	Ø6; Ø8 mm
Profondità massima di fresatura	52 mm
Peso (la procedura EPTA 01/2014)	2,8 kg
Classe di protezione (EN 60745-1) 	II

INFORMAZIONI SUL RUMORE E SULLE VIBRAZIONI

I valori sono stati misurati in conformità alla norma EN 60745.

Emissione di rumore

A-livello di pressione sonora ponderata L_{pA}	82,0 dB(A)
Indeterminazione K_{pA}	3,0 dB(A)
A-livello di potenza sonora ponderata L_{wA}	93,0 dB(A)
Indeterminazione K_{wA}	3,0 dB(A)

Usare mezzi per protezione dal rumore!

Emissione di vibrazioni *

Valore totale delle vibrazioni (somma vettoriale lungo i tre assi), determinato conformemente alla norma EN 60745:

Fresatura di scanalature in truciolato	
Valore delle vibrazioni emesse a_{hV}	3,5 m/s ²
Indeterminazione K	1,5 m/s ²

* Le vibrazioni sono state determinate conformemente al punto 6.2.7 della norma EN 60745.

Il livello di vibrazione sopra indicato è stato definito seguendo il metodo di misurazione riportato nella normativa EN 60745 e può essere utilizzato per confrontare tra di loro diversi elettrotensili. Inoltre è adatto per effettuare una stima provvisoria del livello di esposizione.

Il livello di vibrazione si riferisce alle modalità d'uso principali dell'utensile. Tuttavia, se utilizzato per scopi diversi da quelli previsti, con punte poco stabili o senza adeguata manutenzione, il livello di vibrazione può variare. Ciò può aumentare sensibilmente il livello di esposizione durante il lavoro.

Per una precisa definizione del livello di esposizione dovrebbe essere preso in considerazione anche l'arco di tempo in cui l'utensile è spento o funzionante ma non in uso. Ciò può ridurre sostanzialmente il livello di esposizione durante il lavoro.

Utilizzare l'utensile e gli accessori con cura, e maneggiarlo mantenendo le mani calde così da ridurre gli effetti dannosi dell'elevato livello di vibrazioni.

Polvere derivante da materiali come vernici contenenti particelle di piombo, alcuni tipi di legno, minerali e metallo potrebbe essere nociva. Il contatto o l'inalazione di tali polveri potrebbe causare reazioni allergiche e/o problemi al sistema respiratorio dell'utente o di terzi.

Talune tipologie di polveri, come ad esempio quella derivante da legno di quercia o faggio, soprattutto se trattati con additivi e conservanti, sono classificate come cancerogene. Si consiglia di fare trattare materiali contenenti asbesto solo a persone esperte.

- Se possibile collegare sempre la macchina ad un dispositivo di aspirazione.
- Per ottenere un alto grado di asportazione della polvere, usare nel lavoro con questo elettrotensile un aspirapolvere destinato a raccogliere la polvere di legno e/o polvere minerale
- Tenere l'area di lavoro ben pulita e ventilata.
- Si consiglia l'uso di una mascherina o filtro di classe P2.

Osservare le direttive nazionali relative al materiale da lavorare.

Istruzioni generali di sicurezza nel lavoro con elettroutensili



AVVERTENZA! Leggere tutte le istruzioni d'uso e le avvertenze di sicurezza. L'inosservanza delle istruzioni seguenti può causare folgorazioni, incendi e/o gravi danni a persone.

Conservare con cura queste istruzioni.

Il termine "utensile" in tutte le avvertenze successive si riferisce sia agli utensili collegati alla rete elettrica (con cavo di alimentazione) che agli utensili a batteria (senza cavo).

1) Area di lavoro

- Mantenere l'area di lavoro pulita e ben illuminata. Le zone buie ed ingombre di oggetti favoriscono incidenti.
- Non utilizzare l'utensile in presenza di liquidi infiammabili, gas o polvere. Le scintille generate potrebbero infiammare polvere e/o vapore.
- Tenere a distanza bambini e terzi durante il funzionamento. Per una distrazione potreste perdere il controllo dell'utensile.

2) Sicurezza elettrica

- La spina dell'utensile deve essere adatta alla presa utilizzata. Non modificare la spina in alcun modo. Non utilizzare adattatori con gli utensili collegati a terra. L'impiego di una spina integra ed una presa adatta riduce i rischi di folgorazione.
- Evitare di toccare con il corpo le superfici collegate a terra quali tubi, radiatori, forni e frigoriferi. Il rischio di folgorazione aumenta se il corpo è collegato a terra.
- Non esporre l'utensile alla pioggia e all'umidità. La penetrazione d'acqua nell'utensile aumenta il rischio di folgorazione.
- Non utilizzare il cavo per scopi diversi da quello previsto. Non utilizzare il cavo per trasportare o tirare l'utensile, oppure per staccare la spina dalla presa. Tenere il cavo lontano da fonti di calore, olio, parti appuntite o in movimento. Cavi danneggiati o attorcigliati aumentano il rischio di folgorazione.
- Se l'utensile viene utilizzato all'aperto, usare una prolunga adatta all'uso ester-

no. L'impiego di una prolunga da esterno riduce il rischio di folgorazione.

- Se il lavoro in un ambiente umido è strettamente necessario, utilizzare una presa protetta da dispositivo a corrente residua. Ciò riduce i rischi di scosse.

3) Sicurezza personale

- L'uso di elettroutensili richiede attenzione e buon senso. Non utilizzare gli utensili se si è stanchi o sotto l'effetto di droghe, alcol o medicinali. Una breve disattenzione può provocare gravi danni alle persone.
 - Munirsi di indumenti e dispositivi di protezione. Indossare sempre occhiali da lavoro. L'uso di dispositivi di protezione tra cui mascherina antipolvere, scarpe antiscivolo, casco e protezioni per l'udito riduce il rischio di danni a persone.
 - Evitare l'accensione accidentale. Accertarsi che l'interruttore sia in posizione "OFF" prima di inserire la spina. Se si trasportano gli utensili con il dito sull'interruttore o si inserisce la spina nella presa con l'interruttore in posizione "ON" aumenta il rischio di incidenti.
 - Togliere tutte le chiavi di regolazione prima di accendere l'utensile. Una chiave lasciata inserita in una parte rotante di un utensile può provocare danni a persone.
 - Non utilizzare l'utensile in condizioni estreme. Mantenere sempre l'equilibrio ed i piedi ben appoggiati a terra. Questo consente un maggior controllo dell'utensile in caso di imprevisti.
 - Indossare un abbigliamento adeguato. Non indossare abiti svolazzanti o gioielli. Tenere capelli, vestiti, e guanti lontani dalle parti in movimento. Abiti svolazzanti, gioielli o capelli potrebbero impigliarsi nelle parti in movimento.
 - In presenza di apparecchiature per il collegamento a dispositivi di aspirazione e raccolta delle polveri, accertarsi che essi siano collegati ed utilizzarli correttamente. L'uso di queste apparecchiature può ridurre i rischi causati dalla polvere.
- ## 4) Uso e manutenzione dell'utensile
- Utilizzare l'utensile più adatto per il lavoro da svolgere. L'impiego dell'utensile giusto migliora la qualità del lavoro e la sicurezza.
 - Non utilizzare l'utensile se non è possibile accenderlo e spegnerlo con l'apposito interruttore. Gli utensili che non possono essere controllati con l'interruttore

sono pericolosi e devono essere riparati.

- c) **Staccare la spina dall'alimentazione di corrente prima di eseguire regolazioni, cambiare accessori o riporre l'utensile.** Osservando queste precauzioni si riduce il rischio di accensione accidentale dell'utensile.
- d) **Riporre gli utensili non utilizzati fuori dalla portata dei bambini e non consentirne l'utilizzo a persone che non conoscono l'utensile o queste istruzioni.** Nelle mani di persone inesperte gli utensili possono diventare pericolosi.
- e) **Sottoporre l'utensile a manutenzione.** Verificare il corretto allineamento di tutte le parti mobili, controllare che non siano grippate e che non vi siano rotture o altri guasti che potrebbero influire sul funzionamento dell'utensile. Far riparare gli utensili danneggiati prima di riutilizzarli. Molti incidenti sono causati da utensili in pessime condizioni.
- f) **Tenere le punte e gli strumenti da taglio puliti ed affilati.** Se sottoposti ad una regolare manutenzione e pulizia consentono di lavorare in modo più preciso e sono maggiormente controllabili.
- g) **Utilizzare l'utensile, gli accessori, gli attrezzi etc. secondo quanto indicato in queste istruzioni nonché tenendo in considerazione le condizioni di lavoro e il lavoro da eseguire.** L'impiego di utensili per scopi diversi da quelli per cui sono stati progettati può dare origine a situazioni pericolose.

5) Manutenzione

- a) **Far riparare l'utensile da personale qualificato che utilizzi solo parti di ricambio originali.** In caso contrario la sicurezza dell'utensile potrebbe risultare compromessa.

Istruzioni supplementari di sicurezza nel lavoro con fresatrici



Usare mezzi per protezione dell'udito nel lavoro con fresatrici. Il rumore intenso durante il lavoro può causare lesioni all'udito.

- **Utilizzare sempre durante il lavoro entrambe le impugnature.** La perdita di controllo può causare un infortunio sul lavoro.



Usare durante il lavoro mezzi per protezione della vista, per proteggersi da particelle volanti. Indossare occhiali protettivi.



Prendere precauzioni contro inalazione di polvere. Alcuni materiali possono contenere ingredienti tossici. Indossare maschera antipolvere. Usare un dispositivo di spolverizzazione, se il suo attacco all'elettroscopio risulta possibile.

- **Tenere l'elettroscopio soltanto per le superfici isolate destinate alla presa, quando si svolge un'operazione nella quale l'accessorio di taglio potrebbe toccare un impianto elettrico nascosto o il proprio cordone.** Il contatto dell'accessorio di taglio con un filo sotto tensione metterà le parti metalliche aperte dell'elettroscopio sotto tensione, e l'operatore subirà scossa elettrica.
- **Fissare ed assicurare il pezzo in lavorazione tramite morsetti oppure in altro modo ad una base stabile.** Tenendo il pezzo in lavorazione solamente con la mano o contro il proprio corpo, essendo lo stesso malfermo, si può provocare la perdita del controllo della macchina.
- Non lavorare materiali contenenti amianto. L'amianto è considerato come una sostanza cancerogena.
- È consigliato l'uso di guanti protettivi.



AVVERTENZA: Prima di collegare l'elettroscopio alla rete di alimentazione, accertarsi che la tensione di alimentazione corrisponda a quella riportata sulla targhetta dati tecnici dell'elettroscopio.

- Una sorgente di alimentazione dalla tensione superiore a quella indicata per l'elettroscopio, può causare sia una grave lesione di scossa elettrica all'operatore, sia un guasto all'elettroscopio.
- Se si ha qualsiasi esitazione, non innestare la spina dell'elettroscopio nella presa.
- L'uso di una sorgente di alimentazione con tensione inferiore a quella indicata sulla targhetta dati tecnici dell'elettroscopio, danneggerà il motore elettrico.
- Per avviare all'eventuale surriscaldamento, svolgere sempre completamente il cavo di prolunga con rocchetto.
- Quando si deve usare una prolunga, accertarsi che la sua sezione corrisponda alla corrente nominale dell'elettroscopio usato, nonché

dello stato di efficienza della prolunga.



AVVERTENZA: Disinserire sempre l'elettrotensile e disinnestare la spina dalla presa prima di effettuare qualsiasi regolazione, aggiustaggio o manutenzione, e ad interruzione dell'alimentazione.

- Prima di cominciare il lavoro rimuovere dal pezzo da lavorare ogni chiodo, vite o altro corpo. All'urto contro un chiodo o altro corpo metallico, si possono danneggiare la fresa e l'elettrotensile, e quindi si potrebbe provocare un infortunio sul lavoro.
- Non inserire la fresatrice sotto carico. Prima di accendere la macchina accertarsi che la fresa non tocchi la superficie lavorata.
- Guidare sempre la fresatrice usando ambedue le impugnature e accertarsi di tenere la macchina saldamente, prima di cominciare qualche operazione.
- Spegnerne sempre l'elettrotensile e aspettare finché la rotazione della fresa si fermi definitivamente, prima di staccare la macchina dal pezzo da lavorare.
- Non toccare la fresa immediatamente dopo aver sospeso il lavoro con essa. La fresa potrebbe essere molto calda, e provocare ustioni alla pelle.
- Non è ammessa nel raggio dell'area di lavoro la presenza di stracci, panni, stoppa, spago, cordoni, ecc.
- Tenere il cordone d'alimentazione fuori della portata operativa della fresatrice.
- Non usare l'elettrotensile con cavo danneggiato. Non toccare il cavo danneggiato ed estrarre la spina dalla presa, se il cavo viene danneggiato durante il lavoro. I cavi danneggiati aumentano il rischio di scossa elettrica.
- Non usare frese usurate o danneggiate. Le frese usurate o danneggiate generano attrito elevato, possono incastrarsi e causare martellamento.
- Impiegare l'elettrotensile unicamente secondo la sua destinazione d'uso. Ogni altro impiego, che differisce da quello descritto in queste istruzioni, sarà considerato erraneo. La responsabilità per qualsiasi guasto o lesione provocati da impiego erraneo cadrà sull'utente, e non sul costruttore.
- Per sfruttare correttamente questo elettrotensile, si devono rispettare le regole di sicurezza, le istruzioni generali, e le istruzioni di funzionamento qui indicate. Tutti gli utenti devono conoscere queste istruzioni d'uso ed

essere informati dei potenziali rischi nel lavoro con l'elettrotensile. Bambini e persone fisicamente deboli non devono usare l'elettrotensile. I bambini devono stare sotto continua sorveglianza se si trovano vicino al luogo dove si lavora con l'elettrotensile. È obbligatorio prendere anche precauzioni di sicurezza. Lo stesso concerne pure l'osservanza delle regole principali relative alla salute e alla sicurezza professionale.

- Il fabbricante non sarà tenuto responsabile per modifiche apportate dall'utente all'elettrotensile, o per guasti causati da tali modifiche.
- Non usare l'elettrotensile all'aperto quando piove, in un ambiente umido (dopo una pioggia), o in vicinanza di liquidi o gas facilmente infiammabili. Mantenere il posto di lavoro ben illuminato.

Prendere visione dell'elettrotensile

Prima di cominciare a lavorare con l'elettrotensile, prendere conoscenza di tutte le particolarità operative e condizioni di sicurezza.

Impiegare l'elettrotensile e i suoi accessori unicamente secondo la destinazione d'uso. Ogni altro impiego è espressamente vietato.

1. Interruttore ON/OFF
2. Limitatore della profondità di fresatura
3. Morsetto per fissare la posizione verticale della mensola di sostegno
4. Impugnature
5. Vite per serraggio del motore elettrico alla mensola di sostegno
6. Supporto di posizione a tre gradi
7. Linea della guida parallela
8. Base
9. Alberino
10. Guida parallela
11. Viti per stringere la guida parallela
12. Guide verticali
13. Linea per seguire la profondità di fresatura
14. Regolatore elettronico dei giri
15. Adattatore per aspirapolvere

Istruzioni per l'uso

Questi elettrotensili vengono alimentati da corrente alternata monofase. Avendo l'isolamento doppio conformemente all'EN EN 60745-1 e all'IEC 60745,

possono essere innestati in prese senza piattine di massa. I distributori radio corrispondono alla Direttiva di compatibilità.

Le fresatrici per legno sono elettrotensili manuali, destinati alla fresatura di scanalature, smussamenti, bisellature, spigoli, bordi profilo e fori in legno, assicelle di legno o plastica, mediante frese a perno o a profilo.

PRIMA DI COMINCIARE IL LAVORO

- Controllare che la tensione della rete elettrica corrisponda a quella indicata sulla targhetta dati tecnici dell'elettrotensile.
- Verificare in che posizione si trova l'interruttore ON/OFF. Innestare in e disinnestare l'elettrotensile dalla rete di alimentazione soltanto ad interruttore disinserito. Se la spina viene innestata nella presa mentre l'interruttore è nella posizione inserita, l'elettrotensile si metterà subito in moto, cosa che potrebbe provocare un infortunio.
- Convincersi dello stato di efficienza del cavo e della spina di alimentazione. Se il cavo d'alimentazione è danneggiato, la sostituzione deve essere fatta dal costruttore o da un suo specialista di centro assistenza, per evitare i pericoli della sostituzione.
- Verificare se il diametro del codolo della fresa corrisponde al foro della bussola di chiusura usata, e al massimo numero di giri, ammissibile per l'utensile usato.
- Accertarsi che la fresa sia fissata bene nella bussola di chiusura.



AVVERTENZA: Disinserire sempre l'elettrotensile e disinnestare la spina dalla presa prima di effettuare qualsiasi regolazione, aggiustaggio o manutenzione, e ad interruzione della tensione di alimentazione.

La fresatrice è disegnata a funzionare con frese con diametro del codolo di fissaggio di Ø6 o Ø8. Il diametro massimo della parte operativa della fresa non deve superare il Ø30 mm.

Gli alti giri della fresatrice richiedono frese di alta qualità, che garantiscano una durata utile sufficiente (ad esempio frese in acciaio rapido (HSS) o ancora meglio, frese di piastre in lega indeformabile (HM).

Usare utensili (frese) con diametro preciso del codolo, disegnato per la rispettiva bussola di chiusura, indicati per la velocità di rotazione dell'elettrotensile.

AVVIAMENTO - ARRESTO

- Avviamento: Far scivolare in avanti il cursore dell'interruttore 1 finché la sua parte anteriore sia affondata e bloccata.
- Arresto: Premere la parte posteriore sollevata dell'interruttore 1 e lasciarla ritornare da sola indietro nella posizione di partenza.



AVVERTENZA: A temperatura esterna inferiore a 0°, la fresatrice va avviata soltanto nella posizione "G" del regolatore elettronico dei giri. Dopo qualche minuto di funzionamento a vuoto la fresatrice può essere usata anche nelle altre posizioni del regolatore.

REGOLAZIONE DEI GIRI

Il numero dei giri può essere variato dolcemente da A a G, girando il potenziometro del regolatore elettronico 14, il quale si trova sul lato posteriore del cofano del motore.

REGOLAZIONE DELLE IMPUGNATURE

Tirare separatamente le impugnature (1) e girarle in una posizione comoda per lavoro (2+), dopo di che rilasciare le impugnature.

SOSTITUZIONE DELL'UTENSILE

Per comodità togliere il motore elettrico dalla mensola di sostegno, svitando la vite di fissaggio 5.

Con l'ausilio delle chiavi S17 ed S14 svitare il dado III e togliere l'utensile IV dall'alberino 9.

Mettere l'utensile nuovo nella bussola di chiusura II e stringere bene il dado III.

Riporre il motore elettrico nella sede della mensola di sostegno, e stringere bene la vite di fissaggio 5.

REGOLAZIONE DELLA PROFONDITÀ DI FRESATURA

Prima di procedere a qualsiasi aggiustaggio, spegnere sempre la macchina con l'interruttore ON/OFF e aspettare finché l'alberino non ha smesso completamente di girare.

Rimuovere la mensola di sostegno finché l'utensile tocchi la superficie del pezzo da lavorare, bloccare con l'aiuto del morsetto 3 e marcare la posizione sulla scala verticale 13 come iniziale (a zero).

Regolare il primo grado di profondità con l'aiuto del limitatore 2, diretto contro il livello massimo del supporto a tre posizioni 6, segnando la dimensione sulla scala verticale 13, e bloccare la mensola di sostegno con il morsetto 3. Bloccare il limitatore 2 con l'ausilio della vite ad alette (aggiustare in anticipo i tre gradi del supporto a posizioni, ai livelli desiderati).

Il secondo e il terzo grado di profondità di fresatura vengono determinati girando il disco del supporto a tre posizioni 6 e muovendo la mensola di sostegno, finché il limitatore 2 non ha toccato il livello rispettivo del supporto.

Controllare le dimensioni lungo la scala verticale, o con l'ausilio di un pezzo da lavorare di controllo (di prova).

LAVORO CON LA GUIDA PARALLELA

La guida parallela 10 serve per fresare bordi o scanalature ad una certa distanza parallela ad essi. L'aggiustaggio della distanza si fa con l'aiuto della scala orizzontale 7, dopo di che la guida parallela 10 va bloccata con le viti 11.

FRESATURA SECONDO UN DISEGNO (SCHIZZO)

La fresatura viene eseguita senza la guida parallela 10, seguendo uno schizzo disegnato in anticipo sul pezzo da lavorare. Buoni risultati si potranno ottenere a lunghezze minori.

FRESATURA DI GROSSI PEZZI DA LAVORARE

Usare una tavola ausiliaria, fissata alla superficie lavorata, per guidare la fresatrice. La fresatrice va guidata a due mani, il lato piatto della base 8 essendo premuto contro la tavola ausiliaria.

FRESATURA CON ASPIRAZIONE

Mettere l'adattatore nella sede della base 8 sul suo lato inferiore con la parte cilindrica in avanti. Stringere l'adattatore con le due viti alla base e mettere lo schermo trasparente. Il diametro interno dell'adattatore per collegamento con un aspirapolvere é 35 mm.

ACCESSORI CHE POSSONO ESSERE UTILIZZATI CON QUESTO ELETTROUTENSILE

- Frese in acciaio rapido HSS – con diametro del codolo di fissaggio di Ø6 o Ø8

- Frese con piastre in lega dura HM – con diametro del codolo di fissaggio di Ø6 o Ø8

Manutenzione



AVVERTENZA: Spegnerne sempre l'elettrotensile e staccare la spina dalla presa prima di ogni ispezione o manutenzione.

SOSTITUZIONE DELLE SPAZZOLE

L'elettrotensile è munito di spazzole che si disinseriscono da sole. Quando le spazzole vengono usurate, entrambe le spazzole vanno sostituite simultaneamente con spazzole originali in un centro assistenza tecnica della SPARKY per manutenzione in o fuori garanzia.

CONTROLLO GENERALE

Verificare regolarmente tutti gli elementi di fissaggio e accertarsi che siano saldamente stretti. Nel caso in cui qualche vite si sia allentata, stringerla subito, per evitare situazioni di rischio.

Se il cavo di alimentazione viene danneggiato, la sostituzione va effettuata dal fabbricante o da un suo specialista di centro assistenza, per evitare i pericoli della sostituzione.

PULIZIA

Per un lavoro sicuro mantenere sempre puliti la macchina e le aperture di ventilazione.

Controllare regolarmente che nella griglia di ventilazione vicino al motore elettrico o intorno ai commutatori non siano penetrati polvere o corpi estranei. Usare una spazzola morbida per rimuovere la polvere ammassata. Per proteggere gli occhi, indossare durante la pulizia occhiali protettivi.

Mantenere puliti i fori con filettatura.

Pulire regolarmente e lubrificare con olio le guide verticali 12.

Se la carcassa della macchina necessita pulizia, spolverarla con un canovaccio morbido e umido. Si può usare un debole detergente.



AVVERTENZA Non è ammesso l'uso di alcole, benzina o altri solventi. Non adoperare mai preparati attaccanti per la pulitura delle parti plastiche.



AVVERTENZA: Non è ammessa l'entrata di acqua in contatto con la macchina.

IMPORTANTE! Per provvedere a un lavoro sicuro con l'elettro utensile, e alla sua affidabilità, tutte le attività relative alla riparazione, la manutenzione e la regolazione (ivi incluse la verifica e la sostituzione delle spazzole) vanno effettuare nei centri assistenza autorizzati SPARKY, usando soltanto pezzi di ricambio originali.

Garanzia

Il periodo di garanzia per gli utensili SPARKY ha validità a partire dalla data di acquisto ed è conforme alle normative europee.

Non sono coperti da garanzia danni derivanti da usura, sovraccarico o uso improprio.

L'azienda produttrice assicura la sostituzione di tutte le parti non funzionanti in cui si riconoscano difetti di materiale e/o di lavorazione.

Le prestazioni di garanzia saranno erogate solo se la macchina richiesta sarà inviata in condizioni integre al rivenditore o ad un centro di assistenza, accompagnata dallo scontrino fiscale.

Ulteriori informazioni

Leggere attentamente tutte le istruzioni prima di iniziare a lavorare con l'utensile.

L'azienda produttrice si riserva il diritto di apportare modifiche tecniche senza preavviso.

Le specifiche tecniche possono variare da paese a paese.

Contenido

Introducción	37
Datos técnicos	39
Instrucciones generales de seguridad al operar con herramientas eléctricas	40
Instrucciones adicionales de seguridad al operar con fresadoras	41
Componentes principales de la herramienta eléctrica	A/43
Instrucciones para la operación	43
Mantenimiento	45
Garantía	46

DESENVASE

En conformidad con las tecnologías de grandes series generalmente aceptadas, es poco probable que su herramienta eléctrica sea defectuosa o que le falte alguna pieza. Si observa que algo no está en orden, no opere con la herramienta eléctrica hasta que su pieza dañada no haya sido sustituida o su defectuosidad no haya sido eliminada. El incumplimiento de esta recomendación puede conducir a un accidente de trabajo grave.

ENSAMBLAJE

La fresadora se suministra empaquetada y ensamblada, salvo el adaptador para la evacuación del polvo y la guía paralela.

Introducción

La herramienta eléctrica SPARKY que acaba de adquirir superará sus expectativas. Ha sido fabricada conforme a las altas normas de calidad de SPARKY que responden a las exigencias más rigurosas del usuario. Su mantenimiento es fácil y es segura a la hora de explotarse. Si se usa correctamente, esta herramienta eléctrica le servirá con fiabilidad durante largos años.

¡ADVERTENCIA!



Lea con atención e íntegramente estas instrucciones de explotación antes de usar la herramienta eléctrica SPARKY que acaba de adquirir. Preste una atención especial a los textos encabezados por la palabra "Advertencia". Su herramienta eléctrica SPARKY posee muchas cualidades que facilitarán su trabajo. Al diseñarse esta herramienta eléctrica, se ha prestado una mayor atención a la seguridad, a las cualidades de explotación y a la fiabilidad que facilitan su mantenimiento y explotación.



¡No tire la herramienta eléctrica junto con los residuos domésticos!

Los residuos de productos eléctricos no deben recogerse junto con los residuos domésticos. Por favor, recíclelos en los lugares destinados a ello. Póngase en contacto con las autoridades locales o con un representante suyo para informarse respecto al reciclaje.

PROTECCIÓN DEL MEDIO AMBIENTE



Con miras a la protección del medio ambiente, esta herramienta eléctrica, sus accesorios y su envase deben someterse a un tratamiento adecuado para reutilizar las materias primas que contienen.

Para facilitar el reciclaje de las piezas fabricadas de materiales artificiales, éstas han sido marcadas de la forma correspondiente.

DESCRIPCIÓN DE LOS SÍMBOLOS

Sobre la placa de características técnicas de la herramienta eléctrica se han marcado símbolos especiales. Éstos facilitan información importante sobre el producto o instrucciones para su manejo.



Doble aislamiento de protección adicional



Electrónica para seleccionar previamente la velocidad.



Conexión a aspiradora.



Compatible con las Directivas europeas de aplicación.



Cumple con las regulaciones de la Unión Aduanera.



Compatible con los requisitos de los documentos normativos ucranianos.



Familiarícese con el manual de usuario.


YYYY-Www Período de fabricación, donde los símbolos variables son:

YYYY: año de fabricación,

ww: semana civil consecutiva.

X Fresadora.

Datos técnicos

Modelo	X 52E
Potencia consumida	500 W
Revoluciones en marcha en vacío	8000-33000 min ⁻¹
Electrónica para seleccionar previamente las revoluciones	sí
Acoplamiento a aspiradora	sí
Diámetro de los mandriles	Ø6; Ø8 mm
Profundidad máxima de fresado	52 mm
Peso (EPTA Procedimiento 01/2014)	2,8 kg
Clase de protección (EN 60745-1) 	II

INFORMACIÓN SOBRE EL RUIDO Y LAS VIBRACIONES

Los valores se han determinado según la norma EN 60745.

Emisión de ruido

A-nivel medido de presión sonora L _{pA}	82,0 dB(A)
Indeterminación K _{pA}	3,0 dB(A)
A-nivel medido de potencia sonora L _{wA}	93,0 dB(A)
Indeterminación K _{wA}	3,0 dB(A)

¡Utilice medios de protección contra el ruido!

Emisión de vibraciones *

Valor total de las vibraciones (suma vectorial de tres direcciones) determinado según la norma EN 60745:

Fresado de canales en tablas de virutas de madera	
Valor de las vibraciones emitidas a _h	3,5 m/s ²
Indeterminación K	1,5 m/s ²

* Las vibraciones se han determinado según el apartado 6.2.7 de la norma EN 60745.

El nivel de las vibraciones determinado en esta instrucción ha sido medido en conformidad con la metodología de ensayo indicada en EN 60745 y podrá utilizarse para comparar instrumentos eléctricos. El nivel de las vibraciones podrá utilizarse para una evaluación previa del grado de influencia.

El nivel declarado de las vibraciones se refiere a la destinación principal del instrumento eléctrico. En los casos cuando el instrumento eléctrico se utilice con otra destinación, con otros accesorios o cuando el instrumento eléctrico no haya sido mantenido debidamente, el nivel de las vibraciones podrá ser diferente al indicado. En estos casos, el nivel de influencia podrá aumentar considerablemente dentro de los límites del período total de funcionamiento.

En la evaluación del nivel de influencia de las vibraciones se deberá tener en consideración el tiempo durante el cual el instrumento eléctrico queda desconectado o conectado, pero no se utiliza. Esto podrá reducir notablemente el nivel de influencia dentro de los límites del período total de funcionamiento.

¡Manténganse el instrumento eléctrico y los accesorios en buen estado! Procure tener las manos calientes durante el trabajo. Esto disminuirá la influencia nociva durante un trabajo con vibraciones elevadas.

El polvo desprendido en el procesamiento de los materiales, como pinturas que contienen plomo, algunos tipos de madera, minerales y metales, podrá ser peligroso para la salud. El contacto o la aspiración del polvo podrá provocar reacciones alérgicas y/o enfermedades de las vías respiratorias del operario o de las personas a su alrededor.

Algunos tipos de polvo, por ejemplo, de roble o de haya, se consideran cancerígenos, ante todo si se combinan con adiciones para procesar la madera (cromato, conservantes). El material que contenga asbesto se ha de procesar únicamente por especialistas.

- Cuando sea posible, utilice la evacuación de polvo.
- Para alcanzar un alto grado de captación de polvo, al operar con esta herramienta eléctrica, utilice una aspiradora destinada a recoger polvo de madera o para polvo de madera y/o polvo mineral.
- Asegure una buena ventilación del lugar de trabajo.
- Se recomienda usar una mascarilla antipolvo de protección con filtro clase P2.

Respétese las disposiciones vigentes en su país acerca del procesamiento de los respectivos materiales.

Instrucciones generales de seguridad al operar con herramientas eléctricas



ADVERTENCIA! Lea íntegramente estas advertencias e instrucciones de seguridad. Si no se respetan las advertencias e instrucciones de seguridad, podrá llegar a causarse una avería por la corriente eléctrica, un incendio y/o una lesión grave.

Guárdense todas las advertencias e instrucciones de seguridad para su uso futuro.

El término "herramienta eléctrica" empleado en todas las advertencias descritas a continuación se refiere a su instrumento eléctrico alimentado de la red (con un cordón eléctrico) y/o de una máquina eléctrica alimentada por una batería de acumuladores (sin cordón eléctrico).

1) Seguridad del puesto de trabajo

- Mantenga limpio y bien iluminado su puesto de trabajo. El desorden y la insuficiente iluminación son premisas para un accidente de trabajo.
- No trabaje con la herramienta eléctrica en un entorno de aire explosivo donde hay líquidos inflamables, gases o polvo. Las herramientas eléctricas producen chispas que pueden incendiar el polvo o el vapor.
- Mantenga a los niños y a las personas extrañas a una distancia cuando esté trabajando con una herramienta eléctrica. Una distracción suya le puede hacer perder el control sobre el instrumento eléctrico.

2) Seguridad eléctrica

- Los enchufes de las herramientas eléctricas deben corresponder a la toma de corriente. No cambie el enchufe bajo ningún concepto. No emplee ningún enchufe adaptador en las herramientas eléctricas de puesta a tierra. El uso de enchufes no modificados y su correspondiente toma de corriente reduce el riesgo de una avería causada por la corriente eléctrica.
- Evite el contacto de su cuerpo con la tierra o con superficies con puesta a tierra, como tubos, radiadores, cocinas

y refrigeradores. Si su cuerpo está con puesta a tierra, existe un mayor riesgo de producirse una avería por la corriente eléctrica.

- No exponga la herramienta eléctrica a la lluvia o en un ambiente húmedo. La penetración del agua en el interior del instrumento eléctrico aumenta el riesgo de producirse una avería por la corriente eléctrica.
 - Utilice el cordón eléctrico conforme a su destino. Jamás utilice el cordón eléctrico para trasladar el instrumento eléctrico, tirar o sacar el enchufe de la toma de corriente. Mantenga el cordón eléctrico alejado del calor, de lubricantes, aristas vivas o piezas móviles. Los cordones eléctricos deteriorados o enredados aumentan el riesgo de producirse una avería por la corriente eléctrica.
 - Al trabajar con la herramienta eléctrica a la intemperie, utilice un alargador apropiado para trabajar al aire libre. La utilización de un alargador adecuado para trabajar a la intemperie reduce el riesgo de producirse una avería por la corriente eléctrica.
 - Para interrumpir la alimentación, utilice un dispositivo de seguridad que se pone en funcionamiento por la corriente eléctrica restante de ser imprescindible el empleo de la herramienta eléctrica en un ambiente húmedo. La aplicación de un dispositivo de seguridad reduce el riesgo de producirse una avería por la corriente eléctrica.
- ## 3) Seguridad personal
- Manténgase en alerta, trabaje con mayor atención y sea prudente mientras esté trabajando con la herramienta eléctrica. No utilice la herramienta eléctrica si estuviese cansado bajo el efecto de drogas, alcohol o medicamentos. Un instante de falta de atención al trabajar con un instrumento eléctrico puede provocar un grave accidente de trabajo.
 - Utilice medios de protección personal. Lleve siempre medios para la protección de los ojos. Los medios de protección personal como carreta antipolvo, zapatos seguros con suela antideslizante, casco o protectores auditivos utilizados en condiciones concretas reducen el riesgo de accidentes de trabajo.
 - Evite una puesta en marcha involuntaria. Antes de asir o trasladar el instrumento

eléctrico, asegúrese de que el interruptor esté desconectado previa su conexión a la fuente de alimentación y/o a la batería de acumuladores. *Puede dar lugar a un accidente de trabajo que la herramienta eléctrica sea trasladada con el dedo sobre el interruptor, o bien la conexión de dicha herramienta a una fuente de alimentación con el interruptor en posición conectada.*

- d) **Retire toda llave de ajuste o llaves de tuercas antes de conectar la herramienta eléctrica.** *Una llave de ajuste o llave de tuercas fijada a una pieza rotatoria puede producir un accidente de trabajo.*
- e) **¡No alargue la mano! Mantenga en todo momento la postura correcta y el equilibrio.** *Ello permitirá un mejor manejo de la herramienta eléctrica en caso de que se presente una situación inesperada.*
- f) **Lleve una ropa de trabajo adecuada. No lleve prendas anchas o joyas. Mantenga su cabello, vestimenta y guantes alejados de las piezas móviles.** *La ropa ancha, las joyas o el pelo largo se podrán enganchar a las piezas en movimiento.*
- g) **Siempre que sea posible, utilice equipos de aspiración o recogepolvos y asegúrese que estén conectados y que se utilicen correctamente.** *El uso de estos dispositivos puede reducir los riesgos que son producto del polvo.*

4) Uso y cuidado de las herramientas eléctricas

- a) **No sobrecargue la herramienta eléctrica.** Según el uso, hágase una correcta selección de la herramienta eléctrica. La herramienta correctamente seleccionada funciona mejor y con mayor seguridad en el régimen de trabajo para el que ha sido diseñada.
- b) **No utilice la herramienta eléctrica si el interruptor no conmuta en posición de “conectado” y “desconectado”.** *Toda herramienta eléctrica que no pueda ser manejada con el interruptor es peligrosa y ha de ser reparada.*
- c) **Antes de efectuar cualquier ajuste, saque el enchufe de la red de alimentación, previo cambio de cualquier accesorio o antes de guardar la herramienta.** *Estas medidas de seguridad preventivas reducen el riesgo de poner en funcionamiento la herramienta eléctrica accidentalmente.*
- d) **Guarde las herramientas eléctricas que no hayan sido utilizadas en lugares que estén fuera del alcance de los niños, y**

no permita que trabajen con ella las personas que prestan servicios y desconozcan la herramienta eléctrica y estas instrucciones. *Las herramientas eléctricas son peligrosas en manos de usuarios inexpertos.*

- e) **Mantenga la herramienta eléctrica. Averigüe si sus piezas móviles funcionan correctamente y se mueven con libertad, así como la integridad y el buen estado de las piezas, como también cualquier otra circunstancia que pudiera afectar de forma desfavorable el funcionamiento de la herramienta eléctrica.** *En caso de que esté deteriorada, la herramienta habrá de repararse antes de que se continúe usando. Muchos accidentes se deben al mal mantenimiento de las herramientas eléctricas.*
- f) **Mantenga las herramientas cortantes limpias y afiladas.** *Las herramientas cortantes con bordes afilados y cortantes que tengan un mantenimiento correcto es menos probable que bloqueen y son más fáciles de manejar.*
- g) **Utilice la herramienta eléctrica, los accesorios, las piezas, etc., de acuerdo con estas instrucciones y de la forma prevista para el tipo de herramienta eléctrica concreta, tomando en consideración las condiciones laborales y el trabajo a realizar.** *El uso de la herramienta eléctrica con fines diferentes a aquellos para los que ha sido diseñada puede causar una situación de peligro.*

5) Servicio

- a) **Repare su herramienta eléctrica con un técnico cualificado en reparaciones, utilizando sólo piezas de recambio originales.** *Ello garantizará el mantenimiento y la seguridad de la herramienta eléctrica.*

Instrucciones adicionales de seguridad al operar con fresadoras



Utilice medios de protección de la audición al operar con fresadoras. *El ruido intenso durante la operación puede provocar daños auditivos.*

- Durante la operación utilice siempre las dos empuñaduras. La pérdida de control puede ocasionar un accidente de trabajo.



Durante la operación utilice medios de protección de la vista para protegerse de partículas volantes. Lleve gafas de protección.



Adopte medidas de protección contra la aspiración de polvo. Algunos materiales pueden contener componentes tóxicos. Lleve una careta antipolvo. Utilice un dispositivo de evacuación del polvo si es posible conectarlo a la herramienta eléctrica.

- Sujete la herramienta eléctrica solamente por las superficies de sujeción aisladas cuando realice una operación en que el accesorio cortante puede entrar en contacto con una instalación eléctrica oculta o con su propio cable. El contacto del accesorio cortante con un hilo conductor bajo tensión pondrá bajo tensión las piezas metálicas de la herramienta eléctrica que están al descubierto y el operador sufrirá electrocución.
- Sujete y asegure firmemente la pieza de trabajo a una base estable con unas mordazas o algo similar. Si solamente sujeta la pieza de trabajo con la mano o presionándola contra su cuerpo, la sujeción es insegura y Ud. puede entonces llegar a perder el control.
- No procese materiales que contienen amianto. El amianto se considera una sustancia cancerígena.
- Se recomienda usar guantes de protección.



ADVERTENCIA: Antes de conectar la herramienta eléctrica a la red de alimentación, cerciúrese de que el voltaje de alimentación corresponde al indicado en la placa de datos técnicos de la herramienta eléctrica.

- Una fuente de alimentación con voltaje superior al indicado para la herramienta eléctrica puede provocar tanto un daño grave de corriente eléctrica al operador como también una avería a la herramienta eléctrica.
- Si tiene algunas dudas, no conecte el enchufe de la herramienta eléctrica a la caja de contacto.
- El uso de una fuente de alimentación con voltaje inferior al indicado en la placa de la herramienta eléctrica dañará el motor eléctrico.
- Para evitar un sobrecalentamiento posible,

desenrosque siempre hasta el final el cable del prolongador con un tambor de cable.

- Cuando sea imprescindible usar un prolongador, cerciúrese de que su sección corresponde a la corriente nominal de la herramienta eléctrica utilizada, así como del buen estado del prolongador.



ADVERTENCIA: Desconecte siempre la herramienta eléctrica y saque el enchufe de la toma de corriente antes de efectuar cualquier ajuste, servicio o mantenimiento y al producirse una caída en el voltaje de alimentación.

- Antes de empezar a operar, retire de la pieza que está procesando todos los clavos, tornillos y demás cuerpos. Al entallar en un tornillo o en otro cuerpo metálico, se pueden dañar el cortador y la herramienta eléctrica, y ello es una premisa de accidente de trabajo.
- No conecte la fresadora bajo carga. Antes de conectar la máquina, cerciúrese de que el cortador no entra en contacto con la superficie que se está procesando.
- Dirija siempre la fresadora, utilizando las dos empuñaduras, y, antes de empezar una operación, cerciúrese de que está sujetando la máquina fuertemente.
- Desconecte siempre la herramienta eléctrica y espere hasta que el cortador haya dejado de girar completamente antes de retirar la máquina de la pieza que está procesando.
- No toque el cortador inmediatamente después de haber terminado la operación con él. El cortador puede estar muy caliente y quemarle la piel.
- En la zona de operación no debe haber trapos, toallas, estopas, canales, cordones, etc.
- Mantenga el cable de alimentación fuera del alcance de operación de la máquina.
- No utilice la herramienta eléctrica con el cable dañado. No toque el cable dañado y saque el enchufe de la toma de corriente, si el cable se ha dañado durante la operación. Los cables dañados aumentan el riesgo de electrocución.
- No utilice cortadores desgastados o dañados. Los cortadores desgastados o dañados crean una fricción elevada, pueden acufarse y provocar batimiento.
- La herramienta eléctrica debe usarse solamente según el fin con que ha sido concebida. Cualquier otro uso que difiere del que se describe en este manual se considera uso

incorrecto. La responsabilidad por cualquier avería o lesión derivadas del uso incorrecto, será asumida por el usuario, y no por el fabricante.

- Para explotar correctamente esta herramienta eléctrica, deben cumplirse las normas de seguridad, las instrucciones y las directrices generales de operación que se indican aquí. Cada usuario debe familiarizarse con este manual de explotación y estar informado acerca de los riesgos potenciales al operar con la herramienta eléctrica. Los niños y las personas físicamente débiles no deben usar esta herramienta eléctrica. Los niños deben estar bajo vigilancia continua si se encuentran cerca de un lugar en que se está operando con la herramienta eléctrica. Es obligatorio adoptar asimismo medidas de seguridad preventivas. Ello se refiere también al cumplimiento de las normas principales de salud y seguridad profesionales.
- El fabricante no asume responsabilidad por las modificaciones en la herramienta eléctrica que hayan sido efectuadas por el usuario ni por las averías provocadas a raíz de estas modificaciones.
- La herramienta eléctrica no debe usarse al aire libre cuando esté lloviendo, en un entorno húmedo (después de llover) o cerca de líquidos y gases fácilmente inflamables. El lugar de trabajo debe estar bien iluminado.

Componentes principales de la herramienta eléctrica

Antes de empezar a operar con la herramienta eléctrica, familiarícese con todas las particularidades operativas y con las condiciones de seguridad.

Utilice la herramienta eléctrica y sus accesorios solamente según el fin con el que han sido concebidos. Queda terminantemente prohibida cualquier otra aplicación.

1. Interruptor
2. Limitador de la profundidad de fresado
3. Fijador de la posición vertical de la consola
4. Empuñaduras
5. Tornillo para atiesar el motor eléctrico a la consola
6. Soporte posicional trigradual

7. Línea del guía paralelo
8. Base
9. Husillo
10. Guía paralelo
11. Tornillos de apriete del guía paralelo
12. Guías verticales
13. Línea para leer la profundidad de fresado
14. Regulador electrónico de las revoluciones
15. Adaptador para la aspiradora

Instrucciones para la operación

Estas herramientas eléctricas se alimentan solamente mediante voltaje monofásico alterno. Poseen doble aislamiento, según las normas EN 60745-1 e IEC 60745, y pueden conectarse a tomas de corriente sin bornes de protección. Las radiointerferencias corresponden a la Directiva de Compatibilidad Electromagnética.

Las fresadoras para madera son herramientas eléctricas manuales destinadas al fresado de canales, curvaturas, biseles, aristas, bordes de perfiles y orificios en madera, superficies planas de madera y plástico mediante cortadores de leva y de perfiles.

ANTES DE EMPEZAR A OPERAR

- Cerciórese de que el voltaje de la red eléctrica corresponde al indicado en la placa de datos técnicos de la herramienta eléctrica.
- Revise la posición en que se encuentra el interruptor. La herramienta eléctrica debe conectarse y desconectarse de la red de alimentación eléctrica solamente cuando el interruptor esté desconectado. Si el enchufe se introduce en la toma de corriente, estando conectado el interruptor, la herramienta eléctrica se pondrá inmediatamente en funcionamiento, y ello es una premisa de accidente.
- Cerciórese de que el cable de alimentación y el enchufe se hallan en buen estado. Si el cable de alimentación eléctrica está dañado, su sustitución debe efectuarse por el fabricante o por un técnico del centro de servicio suyo para evitar los peligros de la sustitución.
- Revise si el diámetro de la cola del cortador coincide con la abertura del mandril utilizado y con las revoluciones máximas admisibles para la herramienta eléctrica que se está utilizando.
- Cerciórese de que el cortador esté bien atiesado al mandril.



ADVERTENCIA: Desconecte siempre la herramienta eléctrica y saque el enchufe de la toma de corriente antes de efectuar cualquier ajuste, servicio o mantenimiento y cuando el voltaje de alimentación haya caído.

La fresadora está destinada a operar con cortadores cuyo diámetro de la cola de unión es Ø6 y Ø8. El diámetro máximo de la parte de operación del cortador no debe superar Ø30 mm.

Las revoluciones altas de la fresadora requieren cortadores de alta calidad que garanticen una duración suficiente de servicio (por ejemplo, cortadores de acero de corte rápido (HSS) o, mejor aún, cortadores con láminas de aleaciones duras (HM).

Utilice herramientas (cortadores) con diámetro preciso de la cola destinado al respectivo mandril, apropiadas para la velocidad de rotación de la herramienta eléctrica.

CONEXIÓN - DESCONEXIÓN

- Conexión: El patín del interruptor 1 se desliza hacia adelante, hasta que su parte anterior se hunda y se inmovilice.
- Desconexión: El borde posterior levantado del interruptor 1 se aprieta, dejándolo retornar por sí solo hacia atrás, en la posición de salida.



ADVERTENCIA: Cuando la temperatura externa es inferior a 0°, la fresadora se pone en funcionamiento solamente en la posición "G" del regulador electrónico de las revoluciones. Después de varios minutos de operación en marcha en vacío, la fresadora puede usarse también en las demás posiciones del regulador.

REGULACIÓN DE LAS REVOLUCIONES

Las revoluciones se pueden cambiar cadenciosamente de A a G al girar el potenciómetro del regulador electrónico 14, ubicado en la parte posterior de la tapa del motor.

REGULACIÓN DE LAS EMPUÑADURAS

Tire por separado las empuñaduras y hágalas girar a una posición cómoda de operación, aflojándolas posteriormente.

SUSTITUCIÓN DE LA HERRAMIENTA

Para una mayor comodidad, retire el motor eléctrico de la consola de soporte, desenroscando el tornillo de fijación 5.

Con la ayuda de las llaves de tuerca S17 y S14, desenrosque la tuerca III y retire la herramienta IV del husillo 9.

Coloque la nueva herramienta en el mandril II y atiese fuertemente la tuerca III.

Vuelva a poner el motor eléctrico en la caja de la consola de soporte y atiese fuertemente el tornillo de fijación 5.

AJUSTE DE LA PROFUNDIDAD DE FRESADO

Antes de emprender cualquier ajuste, desconecte siempre la máquina del interruptor y espere hasta que la herramienta se haya detenido completamente.

Retire la consola de soporte, hasta que la herramienta entre en contacto con la superficie de la pieza en procesamiento, inmovilice con la ayuda del fijador 3 y lea la posición en la escala vertical 13 como si fuese inicial (de cero).

Ajuste el primer grado de profundidad con la ayuda del limitador 2, dirigido hacia el nivel más alto del soporte de tres posiciones 6, y lea la dimensión en la escala vertical 13, inmovilizando la consola de soporte con el fijador 3. Inmovilice el limitador 2 con la ayuda del tornillo de mariposa (ajuste previamente los tres grados en el soporte de posiciones en los niveles que Vd. desee).

El segundo y el tercer grado de profundidad de fresado se determinan al girar el disco del soporte de tres posiciones 6 y al desplazar la consola de soporte hasta que el limitador 2 toque el respectivo nivel del soporte.

Controle las dimensiones en la escala vertical o con la ayuda de una pieza de control (de ensayo).

OPERACIÓN CON EL GUÍA PARALELO

El guía paralelo 10 sirve para fresar bordes y canales en paralelo a éstos, a una distancia determinada. El ajuste de la distancia se efectúa

con la ayuda de la escala horizontal 7, y, posteriormente, el guía paralelo 10 se inmoviliza con los tornillos 11.

FRESADO POR DISEÑO (PLANO)

El fresado se efectúa sin el guía paralelo 10, según un plano trazado previamente sobre la pieza que se está procesando. Se obtendrán buenos resultados con longitudes más pequeñas.

FRESADO DE PIEZAS GRANDES

Para guiar la fresadora, utilice una tabla auxiliar fijada sobre la superficie que se está procesando. La fresadora se guía con ambas manos, apretando la parte plana de la base 8 a la tabla auxiliar.

FRESADO CON ASPIRACIÓN

Coloque el adaptador en la caja de la base 8 por la parte inferior, con la parte cilíndrica hacia adelante. Atiese el adaptador con los dos tornillos a la base y coloque la pantalla transparente. El diámetro interno del adaptador para acoplar a la aspiradora es de 35 mm.

ACCESORIOS QUE PUEDEN USARSE CON ESTA HERRAMIENTA ELÉCTRICA

- Cortadores de acero de corte rápido HSS: con diámetro de la cola de unión Ø6 y Ø8.
- Cortadores de láminas de aleaciones duras HM: con diámetro de la cola de unión Ø6 y Ø8.

Mantenimiento



ADVERTENCIA: Desconecte siempre la herramienta eléctrica y saque el enchufe de la toma de corriente antes de realizar cualquier revisión o mantenimiento.

CAMBIO DE CEPILLOS

La herramienta eléctrica está provista de cepillos que se desconectan automáticamente. Cuando los cepillos se desgasten, ambos cepillos deberán sustituirse simultáneamente por cepillos originales en un centro de servicio de SPARKY de mantenimiento de garantía y fuera de garantía.

REVISIÓN GENERAL

Revise regularmente todos los elementos de entibación y cerciédese de que han sido bien atiesados. En caso de que alguno de los tornillos se haya aflojado, apriételo inmediatamente para evitar situaciones de riesgo.

Si el cable de alimentación está dañado, su sustitución debe efectuarse por el fabricante o por un técnico de servicio suyo para evitar los peligros de la sustitución.

LIMPIEZA

Para una operación segura, mantenga siempre limpios la máquina y los orificios de ventilación. Revise regularmente que en la rejilla de ventilación, cerca del motor eléctrico o en torno al conmutador no hayan entrado polvo o cuerpos externos. Utilice un cepillo suave para quitar el polvo acumulado. Para proteger sus ojos, lleve gafas de protección durante la limpieza.

Las aberturas de las roscas deben mantenerse limpias.

Las guía verticales 12 deben limpiarse regularmente y lubricarse con aceite.

Si el cuerpo de la máquina necesita limpieza, límpielo con un paño suave y húmedo. Puede emplearse un detergente de limpieza suave.



ADVERTENCIA: No se deben usar alcohol, gasolina ni otros disolventes. No utilice nunca detergentes de limpieza corrosivos para limpiar las piezas de plástico.



ADVERTENCIA: El agua no debe entrar en contacto con la máquina.

¡IMPORTANTE! Para asegurar una operación segura con la herramienta eléctrica y su fiabilidad, todas las actividades de reparación, mantenimiento y regulación (incluidas la revisión y la sustitución de los cepillos) deben efectuarse en los centros de servicio autorizados de SPARKY, utilizando solamente piezas de recambio originales.

Garantía

El plazo de garantía de las herramientas eléctricas SPARKY se determina en la tarjeta de garantía.

Los defectos que hayan surgido como consecuencia del desgaste natural, de la sobrecarga o de la explotación incorrecta se excluyen de las obligaciones de la garantía.

Los defectos que hayan surgido como consecuencia de que se hayan invertido materiales de baja calidad y/o de errores de fabricación, serán subsanados sin pago adicional, mediante sustitución o reparación.

La reclamación por una herramienta eléctrica SPARKY defectuosa será reconocida cuando la máquina haya sido devuelta al proveedor o cuando haya sido presentada en un centro de servicio de garantía autorizado en su estado sin desmontar (inicial).

Observaciones

Lea atentamente todo el manual de usuario antes de usar este producto.

El fabricante se reserva el derecho de introducir mejoras y modificaciones en sus productos, así como modificar las especificaciones, sin notificarlo.

Las especificaciones pueden variar para cada país.

Conteúdo

Introdução	47
Dados técnicos	49
Indicações gerais de segurança do trabalho com ferramentas eléctricas	50
Refras adicionais de segurança do trabalho com tupidias	51
Conhecimento da ferramenta eléctrica	A/52
Instruções para o trabalho	53
Manutenção	54
Garantia	55

DESEMBALAGEM

De acordo com as tecnologias de produção geralmente utilizadas, é pouco provável o novo instrumento eléctrico que você adquiriu ser ineficiente ou lhe faltar alguma peça. Mesmo assim, se você verificar que qualquer coisa não está bem, não trabalhe com o instrumento, enquanto a peça ineficiente não for substituída, ou a imperfeição não ficar eliminada. O não seguimento desta recomendação é capaz de provocar um acidente de trabalho grave.

ENSAMBLAGEM

A tupidia suministra-se embalada e ensamblada, excepto o adaptador de remoção da poeira e a guia paralela.

Introdução

O novo instrumento eléctrico SPARKY que adquiriu vai ultrapassar as suas expectativas. Ele foi fabricado de acordo com os mais elevados padrões de qualidade da SPARKY, os quais vão de encontro com as exigências mais rigorosas do consumidor. Fácil de manutenção e seguro durante a utilização, sendo correctamente manipulado, este instrumento eléctrico servir-lhe-á fielmente durante muitos anos.

ATENÇÃO!



Leia atentamente toda a instrução para o uso, antes de começar a trabalhar com o seu novo instrumento eléctrico SPARKY. Preste especial atenção aos textos que começam com a palavra "Atenção". O seu instrumento eléctrico SPARKY possui qualidades que não de facilitar o seu trabalho. Ao ser fabricado este instrumento eléctrico, maior atenção foi prestada à segurança, às qualidades de exploração e à fiabilidade, as quais fazem dele um instrumento fácil de manutenção e de exploração.



Não deitar o instrumento eléctrico para o lixo comum!

Os resíduos de aparelhos eléctricos não se devem misturar com o lixo comum. Mande-os para reciclagem nos lugares destinados a isso. Ponha-se em contacto com as autoridades locais ou com um representante para consultar a forma de reciclagem.

PROTECÇÃO DO MEIO AMBIENTE



Visando a protecção do meio ambiente, o instrumento eléctrico, os seus acessórios e embalagem têm de ser submetidos a uma adequada reelaboração para serem novamente utilizadas as matérias primas contidas neles.

Para facilitar a reciclagem, as peças feitas de materiais sintéticos levam a respectiva denotação.

DESCRIÇÃO DOS SÍMBOLOS

Sobre a chapa com os dados do instrumento eléctrico estão denotados os símbolos especiais que fornecem importante informação sobre o artefacto ou recomendações para o seu uso.



Duplo isolamento para dupla protecção.



Electrónica pela escolha prévia da velocidade



Adesão a aspirador de poeira.



Conformidade com as directrizes europeias aplicáveis.



Está conforme com as exigências dos regulamentos da União Alfandegária.



Conformidade com as exigências dos documentos normativos ucranianos.




Leia a instrução para o uso.

YYYY-Www Período de fabrico, onde os símbolos variáveis são:

YYYY – ano de fabrico,
ww - semana em curso.

X Tupia.

Dados técnicos

Modelo	X 52E
Consumo de energia	500 W
Rotações ao ralenti	8000-33000 min ⁻¹
Electrónica pela escolha prévia das rotações	sim
Adesão a aspirador de poeira	sim
Diâmetro das pinças	Ø6; Ø8 mm
Profundidade máxima da fresagem	52 mm
Peso (EPTA procedimento 01/2014)	2,8 kg
Classe de segurança (EN 60745-1) 	II

INFORMAÇÃO SOBRE RUÍDO E VIBRAÇÕES

Os valores foram medidos segundo EN 60745.

Emanação de ruído

A-nível avaliado de pressão sonora L_{pA}	82,0 dB(A)
Indefinição K_{pA}	3,0 dB(A)
A-nível avaliado de potência sonora L_{wA}	93,0 dB(A)
Indefinição K_{wA}	3,0 dB(A)

Utilize meios de protecção do ruído!

Emanação de vibrações *

Valor global das vibrações (soma vectora pelos três eixos), determinado segundo EN 60745:

Fresagem de canais em aglomerado	
Valor das vibrações emanadas a_h	3,5 m/s ²
Indefinição K	1,5 m/s ²

* As vibrações são determinadas segundo o p. 6.2.7 de EN 60745.

O nível das vibrações, indicado neste manual, foi determinado com base no teste indicado por EN 60745 e pode ser utilizado para a comparação de instrumentos eléctricos. O nível das vibrações pode ser utilizado para a avaliação prévia do grau de impacto.

O nível das vibrações declarado refere-se à utilização principal do instrumento. Caso o instrumento eléctrico seja utilizado para outros fins, ou forem utilizados outros acessórios, ou o instrumento não for bem tratado, o nível das vibrações diferenciar-se-á do declarado. Em tais casos o nível do impacto pode crescer consideravelmente dentro do período laboral total.

Ao avaliar o nível de impacto das vibrações, é preciso considerar também o tempo em que o instrumento está desligado, ou está ligado, mas sem funcionar. Tal pode diminuir consideravelmente o nível do impacto dentro do período laboral total.

Mantenha o instrumento eléctrico e os acessórios em bom estado. Cuide as mãos quentes durante o trabalho – isto vai diminuir o efeito nocivo do trabalho com instrumentos de vibração elevada.

O pó resultante do processamento dos materiais tais como pinturas com conteúdo de chumbo, certos tipos de madeiras, minerais e metais, pode ser nocivo para a saúde. O contacto directo ou a aspiração do pó pode causar reacções alérgicas e/ou doenças das vias respiratórias do trabalhador ou das pessoas que se encontram perto dele.

Alguns tipos de pó, por exemplo o de carvalho ou de faia consideram-se carcinogénicos, sobretudo em combinação com ingredientes utilizados no processamento da madeira, tais como cromato ou conservantes.

O material que contém amianto tem de ser processado só por especialistas.

- Quando for possível, utilize sistemas para o desvio do pó.
- Para atingir maior grau de captação do pó, ao trabalhar com o instrumento, utilize aspirador de pó.
- Garanta a boa ventilação do local de trabalho.
- Recomenda-se o uso de máscara anti pó com filtro da classe P2.

Cumpra as regras vigentes no Seu país referentes ao processamento dos diferentes materiais.

Indicações gerais de segurança do trabalho com ferramentas eléctricas



ATENÇÃO! Devem ser lidas todas as indicações de advertência e todas as instruções. O desrespeito das advertências e instruções apresentadas abaixo pode causar choque eléctrico, incêndio e/ou graves lesões.

Guarde bem todas as advertências e instruções para futura referência.

O termo “Ferramenta eléctrica” utilizado a seguir nas indicações de advertência, refere-se a ferramentas eléctricas operadas com corrente de rede (com cabo de rede) e a ferramentas eléctricas operadas com bateria (sem cabo de rede).

1) Segurança da área de trabalho

- Mantenha a sua área de trabalho sempre limpa e bem iluminada. *Desordem ou áreas de trabalho insuficientemente iluminadas podem levar a acidentes.*
- Não trabalhar com a ferramenta eléctrica em áreas com risco de explosão, nas quais se encontrem líquidos, gases ou pós inflamáveis. *Ferramentas eléctricas produzem faíscas, que podem inflamar pós ou vapores.*
- Manter crianças e outras pessoas afastadas da ferramenta eléctrica durante a utilização. *No caso de distração é possível que perca o controlo sobre o aparelho.*

2) Segurança eléctrica

- A ficha de conexão da ferramenta eléctrica deve caber na tomada. A ficha não deve ser modificada de maneira alguma. Não utilizar uma ficha de adaptação junto com ferramentas eléctricas protegidas por ligação a terra. *Fichas não modificadas e tomadas apropriadas reduzem o risco de um choque eléctrico.*
- Evitar que o corpo possa entrar em contacto com superfícies ligadas a terra, como tubos, aquecimentos, fogões e frigoríficos. *Há um risco elevado devido a choque eléctrico, se o corpo estiver ligado a terra.*
- Manter o aparelho afastado de chuva ou humidade. *A infiltração de água numa fer-*

ramenta eléctrica aumenta o risco de choque eléctrico.

- Não deverá utilizar o cabo para outras finalidades. Jamais utilizar o cabo para transportar a ferramenta eléctrica, para pendurá-la, nem para puxar a ficha da tomada. Manter o cabo afastado de calor, óleo, cantos afiados ou partes do aparelho em movimento. *Cabos danificados ou emaranhados aumentam o risco de um choque eléctrico.*
- Se trabalhar com uma ferramenta eléctrica ao ar livre, só deverá utilizar cabos de extensão apropriados para áreas exteriores. *A utilização de um cabo de extensão apropriado para áreas exteriores reduz o risco de um choque eléctrico.*
- Se não for possível evitar o funcionamento da ferramenta eléctrica em áreas húmidas, deverá ser utilizado uma disjuntor de corrente de avaria. *A utilização de um disjuntor de corrente de avaria reduz o risco de um choque eléctrico.*

3) Segurança de pessoas

- Esteja atento, observe o que está a fazer e tenha prudência ao trabalhar com a ferramenta eléctrica. Não utilizar uma ferramenta eléctrica quando estiver fatigado ou sob a influência de drogas, álcool ou medicamentos. *Um momento de descuido ao utilizar a ferramenta eléctrica, pode levar a lesões graves.*
- Utilizar equipamento de protecção pessoal e sempre óculos de protecção. *A utilização de equipamento de protecção pessoal, como máscara de protecção contra pó, sapatos de segurança antiderrapantes, capacete de segurança ou protecção auricular, de acordo com o tipo e aplicação da ferramenta eléctrica, reduz o risco de lesões.*
- Evitar uma colocação em funcionamento involuntária. *Assegure-se de que a ferramenta eléctrica esteja desligada, antes de conectá-la a alimentação de rede e/ou ao acumulador, antes de levantá-la ou de transportá-la. Se tiver o dedo no interruptor ao transportar a ferramenta eléctrica ou se o aparelho for conectado a alimentação de rede enquanto estiver ligado, poderão ocorrer acidentes.*
- Remover ferramentas de ajuste ou chaves de boca antes de ligar a ferramenta eléctrica. *Uma ferramenta ou chave que se encontre numa parte do aparelho em movimento pode levar a lesões.*

- e) **Evite uma posição anormal. Mantenha uma posição firme e mantenha sempre o equilíbrio.** *Desta forma é mais fácil controlar a ferramenta eléctrica em situações inesperadas.*
- f) **Usar roupa apropriada. Não usar roupa larga nem jóias. Mantenha os cabelos, roupas e luvas afastadas de partes em movimento.** *Roupas frouxas, cabelos longos ou jóias podem ser agarrados por peças em movimento.*
- g) **Se for possível montar dispositivos de aspiração ou de recolha, assegure-se de que estejam conectados e utilizados correctamente.** *A utilização de uma aspiração de pó pode reduzir o perigo devido ao pó.*
- 4) Utilização e manuseio cuidadoso de ferramentas eléctricas**
- a) **Não sobrecarregue o aparelho.** *Utilize a ferramenta eléctrica apropriada para o seu trabalho. É melhor e mais seguro trabalhar com a ferramenta eléctrica apropriada na área de potência indicada.*
- b) **Não utilizar uma ferramenta eléctrica com um interruptor defeituoso.** *Uma ferramenta eléctrica que não pode mais ser ligada nem desligada, é perigosa e deve ser reparada.*
- c) **Puxar a ficha da tomada e/ou remover o acumulador antes de executar ajustes no aparelho, de substituir acessórios ou de guardar o aparelho.** *Esta medida de segurança evita o arranque involuntário da ferramenta eléctrica.*
- d) **Guardar ferramentas eléctricas não utilizadas fora do alcance de crianças. Não permita que pessoas que não estejam familiarizadas com o aparelho ou que não tenham lido estas instruções, utilizem o aparelho.** *Ferramentas eléctricas são perigosas se forem utilizadas por pessoas inexperientes.*
- e) **Tratar a ferramenta eléctrica com cuidado.** *Controlar se as partes móveis do aparelho funcionam perfeitamente e não emperram, e se há peças partidas ou danificadas que possam prejudicar o funcionamento da ferramenta eléctrica. Permitir que peças danificadas sejam reparadas antes da utilização. Muitos acidentes têm como causa, a manutenção insuficiente de ferramentas eléctricas.*
- f) **Manter as ferramentas de corte afiadas e limpas.** *Ferramentas de corte cuidadosamente tratadas e com cantos de corte afiados emperram com menos frequência*


e podem ser conduzidas com maior facilidade.

- g) **Utilizar a ferramenta eléctrica, acessórios, ferramentas de aplicação, etc. conforme estas instruções. Considerar as condições de trabalho e a tarefa a ser executada.** *A utilização de ferramentas eléctricas para outras tarefas a não ser as aplicações previstas, pode levar a situações perigosas.*


5) Serviço


- a) **Só permita que o seu aparelho seja reparado por pessoal especializado e qualificado e só com peças de reposição originais.** *Desta forma é assegurado o funcionamento seguro do aparelho.*

Refras adicionais de segurança do trabalho com tupidias

 **Use meios de protecção do ouvido ao trabalhar com tupidias.** *O barulho intenso durante o trabalho pode causar danos auditivos.*

- **Durante o trabalho use sempre ambas as manipulas.** *A perda de controlo pode provocar acidente de trabalho.*

 **Durante o trabalho use meios de protecção dos olhos contra partículas voantes.** *Use óculos protectores.*

 **Tome medidas preventivas contra a aspiração de poeira.** *Alguns materiais podem conter elementos tóxicos. Use máscara anti-poeira. Use equipamento de remoção da poeira, caso seja possível juntá-lo à ferramenta eléctrica.*

- **Pegue na ferramenta só pelas superfícies isoladas, quando efectua operação na qual a superfície cortante pode entrar em contacto com instalação eléctrica escondida ou com o cordão próprio.** *O contacto da superfície cortante com cabo sob tensão vai deixar as partes metálicas descobertas do instrumento sob tensão e o operário pode sofrer choque eléctrico.*
- **Fixar a peça a ser trabalhada com sargentos, ou de outra maneira, a uma base firme.** *Se a peça a ser trabalhada for segurada com a mão ou apoiada contra o seu próprio corpo,*

ela permanecerá instável, levando à perda de controlo.

- Não processe materiais que contêm amianto. O amianto considera-se substância carcinogénica.
- Recomenda-se o uso de luvas protectoras.



ADVERTÊNCIA: Antes de ligar a ferramenta à rede alimentadora, verifique se a tensão na rede eléctrica corresponde à que está marcada na placa das características técnicas da ferramenta.

- Fonte de alimentação cuja tensão é maior do que a indicada para a ferramenta, pode causar tanto um grave dano de choque eléctrico no operário, como avaria da ferramenta.
- Se tiver quaisquer hesitações, não meta a ficha de tomada da ferramenta na rede de alimentação.
- Fonte de alimentação cuja tensão é menor do que a indicada para a ferramenta, pode causar tanto um grave dano ao motor eléctrico.
- Para evitar eventual sobre-aquecimento, sempre desenrole até ao fim o cordão a partir dum extensão com cabo de bateria.
- Quando se precisa usar extensão, convença-se de que a sua secção corresponde a corrente nominal da ferramenta, como também da perfeição da extensão.



ADVERTÊNCIA: Sempre desligue a ficha da tomada antes de realizar quaisquer concertos, reparações ou manutenção, bem como nos casos de queda da tensão alimentadora.

- Antes de iniciar o trabalho elimine da peça processada todos os pregos, parafusos e outros objectos. O entalhamento de prego ou outro objecto metálico pode causar dano ao cortador e à ferramenta, o que é uma premissa para acidente de trabalho.
- Não conecte a tupa sob carga. Antes de iniciar o trabalho, convença-se de que o cortador não toca a superfície processada.
- Sempre guie a tupa pegando nela com ambas as manipulas.e convença-se de que tem pegado bem na ferramenta antes de iniciar qualquer operação.
- Sempre desconecte a ferramenta e espere a paragem definitiva da rotação do cortador, antes de retirar a ferramenta do material processado.
- Não pegue no cortador imediatamente depois

do trabalho – o cortador pode ter ficado muito quente e pode causar-lhe queimaduras na pele.

- Nunca deixe na zona operacional estopas, cordões, farrapos, etc.
- Mantenha o cabo alimentador fora do alcance operacional da ferramenta.
- Não se admita trabalhar com o cabo alimentador avariado. Se o cabo de alimentação está danificado, não pegue nele e retire a ficha de tomada da rede alimentadora. se o cabo ficar avariado durante o processo de trabalho. Os cabos avariados aumentam o risco de choque eléctrico.
- Não use cortadores gastos ou avariados. Os cortadores gastos ou avariados criam aumento da fricção, podem ficar acunhados e provocar batidas.
- A ferramenta eléctrica tem de se usar só para o que for destinado. Qualquer outro uso diferente do que está descrito nesta instrução considerar-se-á uso incorrecto. A responsabilidade de qualquer avaria ou ferimento que decorrem do uso incorrecto será assumida pelo consumidor e não pelo fabricante.
- Para explorar correctamente esta ferramenta, tem de observar as regras de segurança, as instruções gerais e as indicações para o trabalho aqui assinaladas. Todos os consumidores têm de conhecer esta instrução e estar informados sobre os riscos potenciais ao trabalhar com a ferramenta. Crianças e pessoas de físico fraco não têm de trabalhar com a ferramenta. As crianças têm de encontrar-se sob vigilância permanente, caso se encontrarem perto do lugar onde se trabalha com a ferramenta. É preciso serem tomadas obrigatoriamente medidas preventivas de segurança. O mesmo refere-se à observância das regras principais de saúde profissional e segurança técnica.
- O fabricante não assume a responsabilidade pelas alterações feitas na ferramenta pelo consumidor, nem pelas avarias que decorrem dessas alterações.
- A ferramenta não tem de ser usada ao ar livre em tempo de chuva, em ambiente húmido (depois de chuva) ou perto de líquidos e gases facilmente inflamáveis. O local de trabalho tem de ficar bem iluminado.

Conhecimento da ferramenta eléctrica

Antes de começar a trabalhar com a ferramenta

eléctrica, conheça todas as suas especificidades operacionais e as condições de segurança.

Use o instrumento e os seus acessórios só para o que forem destinados. Qualquer outra aplicação é terminantemente proibida.

1. Interruptor
2. Limitador da profundidade de fresagem
3. Afixador da posição vertical da consola
4. Manipulas
5. Parafuso de apertar o motor eléctrico na consola
6. Apoio da posição a tres níveis
7. Linha da guia paralela
8. Fundamento
9. Fuso
10. Guia paralela
11. Parafusos de apertar a guia paralela
12. Guias verticais
13. Linha para calcular a profundidade da fresagem
14. Regulador electrónico das rotações
15. Adaptador para aspirador da poeira

Instruções para o trabalho

Esta ferramenta eléctrica alimenta-se unicamente por tensão alternada monofásica. Pode-se juntar a tomadas sem clips de segurança, pois tem duplo isolamento conforme EN 60745-1 e IEC 60745. As radio-perturbações correspondem à Directriz sobre a compatibilidade electromagnética.

Esta ferramenta eléctrica manual destina-se a fresagem de canais, arredondamentos, chanfros, bordas, bordas perfiladas e aberturas em madeira, placas lenhosas e plásticos mediante cortadores de ponta e de perfil.

ANTES DE INICIAR O TRABALHO

- Verifique se a tensão da rede eléctrica corresponde à que está indicada sobre a chapa com os dados técnicos da ferramenta eléctrica.;
- Verifique em que posição se encontra o interruptor. A ferramenta tem de se conectar e desconectar da rede só com o interruptor desligado. Se meter a ficha no contacto enquanto o interruptor estiver na posição de conectado, a ferramenta accionar-se-á imediatamente, o que constitui uma premissa para acidente.

- Assegure-se da perfeição do cabo de alimentação e da ficha de tomada. Se o cabo de alimentação estiver danificado, a sua substituição tem de se fazer pelo fabricante ou por especialista na oficina de assistência autorizada por ele para evitar os perigos decorrentes dessa operação..
- Verifique se o diâmetro da cauda do cortador corresponde à abertura da pinça usada e às rotações máximas permissíveis para a ferramenta usada.
- Convença-se de que o cortador foi bem apertado na pinça.



ADVERTÊNCIA: Sempre desconecte a ferramenta eléctrica e retire a ficha da rede de contacto ao fazer qualquer conserto, assistência ou manutenção ou em caso de queda da tensão.

A tупia é destinada a trabalhar com cortadores com diâmetro da cauda de adesão Ø6 e Ø8. O diâmetro máximo da parte operacional do cortador não tem de ultrapassar Ø30 mm.

As rotações elevadas da tупia exigem cortadores de alta qualidade que garantem durabilidade suficiente (por exemplo, cortadores de aço de alta velocidade (HSS) ou, ainda melhor, cortadores com placas de liga (HM)).

Use instrumentos (cortadores) com diâmetro da cauda exactamente destinado à respectiva pinça e adequados para a velocidade de rotação da ferramenta.

ARRANCO - PARAGEM

- Arranco: O deslizador do interruptor 1 desliza-se para frente até a sua parte da frente se afundar e ficar travada.
- Paragem: A parte traseira, elevada, do interruptor 1 aperta-se e deixa-se voltar pela sua conta para tras até chegar ao ponto de partida.



ADVERTÊNCIA: Quando a temperatura do ambiente é inferior aos 0°, a tупia acciona-se somente na posição "G" do regulador electrónico das rotações. Depois de alguns minutos de trabalho ao ralenti, a tупia pode ser usada para trabalho nas outras posições.

REGULAÇÃO DAS ROTAÇÕES

As rotações podem variar gradualmente de A a

G mediante rotação do potenciômetro do regulador electrónico 14 que fica na parte traseira da tampa do motor.

REGULAÇÃO DAS MANÍPULAS (FIG.2)

Puxe uma por uma as manípulas e dobre-as em posição cómoda para o trabalho, depois do qual afrouxe as manípulas.

SUBSTITUIÇÃO DO INSTRUMENTO

Para maior comodidade, retire o motor eléctrico da consola de suporte desparafusando o parafuso 5.

Com a ajuda das chaves S17 y S14, desenrole a porca III e retire o instrumento IV do fuso 9.

Coloque o novo instrumento na pinça II e aperte bem a porca III.

Coloque de novo o motor no encaixe da consola de suporte e aperte bem o parafuso afixador 5.

CONCERTO DA PROFUNDIDADE DA FRESAGEM

Antes de proceder para qualquer concerto, desconecte a ferramenta pelo interruptor e espere até o instrumento deixar de girar definitivamente.

Retire a consola de suporte até o instrumento chegar a tocar a superfície da peça processada, trave com a ajuda do afixador 3 e detecte a posição na escala vertical 13 como inicial (zero).

Conserte o primeiro nível de profundidade com a ajuda do limitador 2, apontado contra o nível máximo do suporte de tres níveis 6, detectando a medida na escala vertical 13 e travando a consola de suporte com o afixador 3. Trave o limitador 2 com a ajuda do parafuso de asa (antes disso, conserte os três níveis do apoio posicional aos níveis desejados).

O segundo e o terceiro nível de profundidade de fresagem determinam-se girando o disco do apoio tripocional 6 e deslocação da consola de suporte até o limitador 2 chegar a tocar o respectivo nível do apoio.

Controle as dimensões na escala vertical ou com a ajuda duma peça de controlo (padrão).

TRABALHO COM A GUIA PARALELA

A guia paralela 10 serve para fresagem de bordas e canais paralelamente a eles, a uma determinada distância. O concerto da distância faz-se pela escala horizontal 7, depois do qual a guia paralela 10 trava-se com parafusos 11.

FRESAGEM SEGUNDO DESENHO (ESBOÇO)

A fresagem faz-se sem guia paralela 10 segundo o desenho previamente traçado sobre a peça processada. Melhores resultados conseguem-se quando os comprimentos são menores.

FRESAGEM DE PEÇAS GRANDES

Use uma prancha auxiliar ajustada sobre a superfície processada para guiar a tupa. A tupa guia-se com ambas as mãos, apertando a parte chata da base 8 à prancha auxiliar.

FRESAGEM COM SUCÇÃO

Coloque o adaptador no encaixe da base 8 com a parte cilíndrica para frente. Aperte o adaptador sobre o fundamento com os dois parafusos e coloque o escudo transparente. O diâmetro interno do adaptador de adesão ao aspirador de poeira é 36 mm.

ACESSÓRIOS QUE PODEM SER UTILIZADOS COM ESTA FERRAMENTA ELÉCTRICA

- Cortadores de aço de alta velocidade HSS – com diâmetro da cauda de adesão Ø6 e Ø8
- Cortadores com placa de liga HM - com diâmetro da cauda de adesão Ø6 e Ø8

Manutenção



ADVERTÊNCIA: Sempre desconecte a ferramenta eléctrica e retire a ficha da rede de contacto antes de realizar qualquer revisão ou manutenção.

SUBSTITUIÇÃO DAS ESCOVAS

A ferramenta está provida de escovas auto-stop. Quando as escovas ficarem gastas, ambas têm de ser substituídas ao mesmo tempo por escovas originais na oficina de assistência em prazo de garantia e fora dele da SPARKY.

REVISÃO GERAL

Revise regularmente todos os elementos de suporte e convença-se de que estão bem apertados. Caso algum parafuso se tenha afrouxado, aparafuse-o imediatamente para evitar situações de risco.

Caso o cabo alimentador tenha ficado avariado, a substituição tem de se fazer pelo fabricante ou pelo seu especialista na oficina de assistência autorizada, para assim evitar os perigos decorrentes da substituição.

LIMPEZA

Em vista da segurança do trabalho, mantenha sempre limpas a máquina e as aberturas de ventilação.

Revise regularmente se na grade de ventilação perto do motor eléctrico ou ao redor dos comutadores não tenham penetrado pó ou outros corpos alheios. Use uma escova macia para limpar o pó acumulado. Para proteger os olhos, durante a limpeza use óculos protectores.

As aberturas roscadas têm de se manter limpas.

As guias verticais 12 têm de limar-se e lubrificar-se regularmente.

Caso o corpo da ferramenta precise de limpeza, use um pano macio úmido. Pode usar qualquer detergente fraco.



ADVERTÊNCIA: Não se admite o uso de álcool, gasolina ou outros solventes. Nunca use produtos corrosivos para limpar as partes de plástico.



ADVERTÊNCIA: Não se admite a penetração de água em contacto com a ferramenta.

ATENÇÃO! Para garantir o trabalho seguro com a ferramenta e sua maior confiança, todas as actividades de reparação, manutenção e regulação (incluindo a revisão e substituição das escovas) têm de se fazer nas oficinas autorizadas da SPARKY, utilizando só peças de sobresselente originais.

Garantia

O prazo de garantia dos instrumentos eléctricos SPARKY está indicado no cartão de garantia. Problemas surgidos em resultado do desgaste natural, sobrecarga ou utilização incorrecta, ficam excluídos dos deveres da garantia. Os problemas surgidos devido ao uso de materiais de baixa qualidade e/ou erros de fabricação, eliminam-se sem pagamento adicional mediante substituição ou reparação.

Reclamação por um instrumento eléctrico SPARKY defeituoso reconhece-se quando o instrumento for devolvido ao distribuidor ou for levado a uma oficina autorizada de assistência em prazo de garantia no seu estado inicial (montado).

Observações

Leia atentamente toda a instrução para o uso, antes de começar a trabalhar com este aparelho. O fabricante reserva-se o direito de introduzir melhoras e modificações nos seus aparelhos, bem como modificar as especificações sem aviso.

As especificações podem variar de país para país.

Spis treści

Wprowadzenie	56
Dane techniczne	58
Ogólne wytyczne dotyczące bezpieczeństwa pracy narzędziami elektrycznymi	59
Dodatkowe wytyczne dotyczące bezpieczeństwa pracy frezarkami	60
Zapoznanie z elektronarzędziem	A/61
Wytyczne pracy	62
Konserwacja	63
Gwarancja	64

ROZPAKOWYWANIE

Ze względu na nowoczesne metody produkcji masowej, istnieje niewielkie prawdopodobieństwo, iż zakupione przez Państwa narzędzie jest wadliwe, bądź niekompletne. W przypadku stwierdzenia jakichkolwiek nieprawidłowości, nie uruchamiać narzędzia do chwili wymiany części lub usunięcia usterki. Niezastosowanie się do tego zalecenia może skutkować poważnym uszkodzeniem ciała.

MONTAŻ

Frezarkę dostarcza się w stanie opakowanym i zmontowanym, z wyjątkiem adaptera do odprowadzenia pyłu i prowadnicy równoległej.

Wprowadzenie

Zakupione przez Państwa elektronarzędzie marki SPARKY spełni nawet najbardziej wygórowane oczekiwania użytkownika. Zostało ono wyprodukowane z zachowaniem rygorystycznych norm jakościowych SPARKY, aby zagwarantować doskonałe parametry pracy. Przekonają się Państwo, że Wasze nowe narzędzie jest łatwe i bezpieczne w obsłudze i, przy zachowaniu odpowiednich zasad użytkowania, będzie Wam niezawodnie służyć przez wiele lat.

OSTRZEŻENIE!



Prosimy o dokładne zapoznanie się z niniejszą instrukcją obsługi przed użyciem urządzenia SPARKY, zwracając szczególną uwagę na ostrzeżenia i uwagi. Dzięki swoim cechom, urządzenie SPARKY zapewnia szybką i łatwą pracę. Bezpieczeństwo, niezawodność i wydajność były priorytetami przy konstruowaniu tego urządzenia aby zapewnić łatwość obsługi oraz utrzymania.



Nie wyrzucać produktów elektrycznych razem z odpadami z gospodarstw domowych! Zużyte artykuły elektryczne nie powinny być wyrzucane wraz z odpadami z gospodarstw domowych. Należy je utylizować w przeznaczonych do tego miejscach. Informacji na temat utylizacji udzielają władze lokalne bądź sprzedawcy.

OCHRONA ŚRODOWISKA



Utylizując urządzenie, osprzęt i opakowanie należy poddać poszczególne elementy sortowaniu z myślą o ochronie środowiska naturalnego. Elementy plastikowe zostały odpowiednio oznaczone, aby umożliwić utylizację wg odpowiedniej klasyfikacji odpadów.

OPIS SYMBOLI

Na tabliczce znamionowej narzędzia mogą znajdować się symbole oznaczające ważne informacje o produkcie lub instrukcji jego użytkowania.



Podwójna izolacja dla zabezpieczenia dodatkowego



Elektronika do wstępnego doboru prędkości.



Podłączenie do odkurzacza.



Zgodny z odpowiednimi dyrektywami europejskimi.



Spełnia wymagania przepisów Unii Celnej.



Zgodność z wymogami ukraińskich dokumentów normatywnych.



Zapoznać się z instrukcją obsługi.

YYYY-Www Okres produkcji, gdzie zmiennymi symbolami są:
YYYY - rok produkcji,
ww - kolejny tydzień kalendarzowy.

X Frezarka.

Dane techniczne

Model	X 52E
Moc pobierana	500 W
Obroty nominalne	8000-33000 min ⁻¹
Elektronika do wstępnego doboru obrotów	tak
Przyłącze do odkurzacza	tak
Średnica tulei zaciskowych	Ø6; Ø8 mm
Maks. głębokość frezowania	52 mm
Waga (EPTA procedura 01/2014)	2,8 kg
Klasa ochrony (EN 60745-1) 	II

INFORMACJE O HAŁASIE I WIBRACJI

Wartości wymierzano zgodnie z EN 60745.

Emisje hałasu

A-poziom ważony ciśnienia akustycznego L _{pA}	82,0 dB(A)
Nieokreśloność K _{pA}	3,0 dB(A)
A- poziom ważony mocy akustycznej L _{WA}	93,0 dB(A)
Nieokreśloność K _{WA}	3,0 dB(A)

Należy korzystać z środków ochrony przed hałasem!

Emisje wibracji *

Wartość ogólna wibracji (suma wektorowa w trzech osiach), określona zgodnie z EN 60745:

Frezowanie żłobków w płycie wiórowej	
Wartość emitowanych wibracji a _h	3,5 m/s ²
Nieokreśloność K	1,5 m/s ²

* Wibracje zostały wymierzone zgodnie z pkt. 6.2.7 EN 60745.

Podany w niniejszej instrukcji poziom drgań został zmierzony zgodnie z określoną przez normę EN 60745 procedurą i może być używany do porównywania urządzeń. Może być stosowany do wstępnego określenia ekspozycji.

Deklarowany poziom emisji drgań odnosi się do głównego zastosowania urządzenia. Jeżeli urządzenie zostanie przeznaczone do innych zastosowań, z innym osprzętem lub nie będzie należycie konserwowane, poziom emisji wibracji może się różnić. Może to znacznie zwiększyć poziom ekspozycji w łącznym czasie pracy.

Aby dokładnie określić poziom ekspozycji na drgania, należy także brać pod uwagę okresy gdy urządzenie jest wyłączone, lub gdy nawet jest włączone, ale nie wykorzystywane do pracy. Może to znacznie obniżyć poziom ekspozycji na drgania w łącznym czasie pracy.

Chronić urządzenie oraz osprzęt oraz dbać o zapewnienie ciepła dłoniom podczas pracy w celu obniżenia szkodliwego wpływu drgań.

Pył z takich materiałów jak np. farba zawierająca ołów, niektóre gatunki drewna, minerały oraz metal może być szkodliwy. Kontakt lub inhalacja pyłów może spowodować reakcje alergiczne i/lub choroby układu oddechowego u operatora lub osób znajdujących się w bezpośredniej bliskości.

Pewne odmiany pyłów sklasyfikowane są jako rakotwórcze np. pył dębowy czy bukowy w szczególności w połączeniu z dodatkami zawierającymi chromaty i środki konserwujące. Materiały zawierające azbest mogą być obrabiane jedynie przez specjalistów.

- Tam gdzie możliwe jest stosowanie odciągu pyłów należy je stosować.
- Aby uzyskać wysoką skuteczność odciągu pyłów, stosować odkurzaczy do drewna lub do drewna i minerałów wraz z niniejszym urządzeniem.
- Miejsce pracy musi być dobrze wentylowane.
- Zaleca się stosowanie maski p.pyłowej lub filtrów klasy P2.

Przestrzegać przepisów krajowych odnośnie obrabianych materiałów.

Ogólne wytyczne dotyczące bezpieczeństwa pracy narzędziami elektrycznymi



OSTRZEŻENIE: Należy zapoznać się z niniejszą ogólną instrukcją bezpieczeństwa oraz całą instrukcją obsługi. *Nie przestrzeganie niniejszych instrukcji może spowodować porażenie prądem, pożar i/lub poważne obrażenia.*

Zachować niniejsze instrukcje na przyszłość.

Określenie „elektronarzędzie” odnosi się zarówno do urządzeń zasilanych z sieci (przewodowych) jak i zasilanych bateriami (beprzewodowych).

1) Bezpieczeństwo w miejscu pracy

- Miejsce pracy musi być zawsze dobrze oświetlone i czyste. *Niedoświetlenie oraz nieład mogą być przyczyną wypadków.*
- Nie należy używać urządzenia w obecności palnych płynów, gazów i pyłów. *Podczas pracy urządzenia powstają iskry, które mogą zapalić pyły lub opary.*
- Dzieci i osoby postronne nie powinny znajdować się w miejscu pracy elektronarzędziami. *Brak skupienia może spowodować utratę kontroli nad urządzeniem.*

2) Bezpieczeństwo elektryczne

- Wtyczka urządzenia musi pasować do gniazda zasilającego. Nie wolno modyfikować wtyczki w jakikolwiek sposób. Nie stosować żadnych adapterów w przypadku elektronarzędzi wymagających uziemienia. *Nie modyfikowane wtyczki oraz gniazda zasilające redukują ryzyko porażenia prądem.*
- Unikać kontaktu z uziemionymi przedmiotami takimi jak, rury, grzejniki, piece i lodówki. *Ryzyko porażenia prądem wzrasta gdy ciało użytkownika zostanie uziemione.*
- Nie narażać urządzenia na kontakt z deszczem lub wilgocią. *Woda wnikać do urządzenia zwiększa ryzyko porażenia prądem.*
- Traktować przewód zasilający zgodnie z przeznaczeniem. Nigdy nie stosować przewodu do przenoszenia, przeciągania lub odłączania urządzenia od zasilania.

Chronić przewód przed źródłem ciepła, olejami, przedmiotami o ostrych brzościach, ruchomymi częściami urządzeń. *Uszkodzony lub splątany przewód zwiększa ryzyko porażenia prądem.*

- Podczas pracy na zewnątrz należy zawsze stosować odpowiedni przewód przedłużający przystosowany do pracy na zewnątrz. *Stosowanie przewodu przeznaczonego do pracy na zewnątrz zmniejsza ryzyko porażenia prądem.*
- Jeżeli nie ma możliwości uniknięcia pracy elektronarzędziem w wilgotnym środowisku, należy stosować zasilanie wyposażone w wyłącznik różnicowoprądowy. *Stosowanie wyłącznika różnicowoprądowego redukuje ryzyko porażenia prądem.*

3) Bezpieczeństwo osobiste

- Zawsze należy pracować w należyтым skupieniu i kierować się rozsądkiem. Nie używać urządzenia będąc zmęczonym lub pozostając pod wpływem narkotyków, alkoholu lub będąc w trakcie leczenia. *Chwila nieuwagi podczas pracy urządzeniem może być przyczyną poważnych uszkodzeń ciała.*
- Stosować wyposażenie ochronne. *Zawsze używać ochrony oczu. Wyposażenie takie jak maska pyłowa, buty na podszewie antypoślizgowej, kask, ochronniki słuchu, stosowane w odpowiednich warunkach, redukuje zagrożenie uszkodzenia ciała.*
- Unikać przypadkowego włączenia urządzenia. *Upewnić się, że wyłącznik znajduje się w położeniu „wyłączony” przed podłączeniem urządzenia do źródła zasilania lub baterii. *Przenoszenie urządzenia trzymając za wyłącznik lub podłączając je do zasilania z wyłącznikiem w pozycji: „włączone” może być przyczyną wypadków.**
- Usunąć wszelkie klucze przed włączeniem urządzenia. *Pozostawienie klucza w rotującej części urządzenia może spowodować obrażenia ciała.*
- Nie przeceniać własnych możliwości. *Zawsze dbać o odpowiednie oparcie dla nóg oraz balans. Zapewni to lepszą kontrolę w nieoczekiwanych sytuacjach.*
- Stosować odpowiednie ubranie. *Nie nosić luźnych ubrań ani biżuterii. Nie zbliżać włosów, ubrania ani rękawic roboczych do ruchomych części urządzenia. *Luźne ubranie, biżuteria lub długie włosy**

mogą utkwąć w ruchomych częściach urządzenia.

- g) Jeśli urządzenie jest wyposażone w adapter odprowadzania pyłów, należy sprawdzić czy jest odpowiednio podłączony i używany. Stosowanie systemu odprowadzania pyłów może obniżyć niebezpieczeństwa związane z pyleniem.

4) Używanie i konserwacja urządzenia

- a) Nie przeciążać urządzenia. Stosować odpowiednie urządzenie do każdej pracy. Należy użyć dobrego urządzenia wykona pracę lepiej i bezpieczniej w trybie do jakiego zostało zaprojektowane
- b) Nie używać urządzenia jeśli włącznik nie działa. Każde urządzenie z uszkodzonym włącznikiem jest niebezpieczne i musi zostać naprawione.
- c) Zawsze należy odłączyć urządzenie od zasilania lub odłączyć baterie przed zmianą ustawień, wymianą akcesoriów lub odłożeniem po pracy. Takie działanie zmniejszy ryzyko przypadkowego włączenia urządzenia.
- d) Nieużywane urządzenie należy chronić przed dziećmi oraz nie zezwalać niepowołanym osobom nie znającym tego urządzenia lub niniejszej instrukcji na pracę tym urządzeniem. Elektronarzędzia są niebezpieczne w rękach nieprzeszkolonych osób.
- e) Konserwować elektronarzędzia. Sprawdzając połączenia części ruchomych, ewentualne uszkodzenia oraz inne czynniki mogące mieć wpływ na działanie urządzenia. W przypadku stwierdzenia uszkodzenia należy naprawić urządzenie przed dalszym użytkowaniem. Wiele wypadków spowodowanych jest nienależytą konserwacją urządzenia.
- f) Narzędzia tnące zawsze muszą być ostre. Odpowiednio konserwowane narzędzia tnące z ostrymi krawędziami rzadziej się zacinają w obrabianym materiale i są łatwiejsze w obsłudze.
- g) Niniejsze urządzenie oraz osprzęt do niego muszą być używane zgodnie z niniejszą instrukcją obsługi oraz w zakresie przewidzianym dla danego typu urządzenia. Zawsze należy brać pod uwagę rodzaj pracy do wykonania oraz warunki panujące w miejscu pracy. Użycie elektronarzędzi do celów innych niż opisane w niniejszej instrukcji obsługi może spowodować niebezpieczne sytuacje.

5) Serwis

- a) Niniejsze urządzenie należy serwisować wyłącznie w wykwalifikowanych serwisach z wykorzystaniem oryginalnych części zamiennych. Takie postępowanie zapewni należyte bezpieczeństwo elektronarzędzia.

Dodatkowe wytyczne dotyczące bezpieczeństwa pracy frezarkami



Używać środków ochrony słuchu przy pracy frezarkami. Intensywny hałas podczas pracy może spowodować uszkodzenia słuchu.

- Podczas pracy zawsze stosować obie rękawice. Utrata kontroli może doprowadzić do wypadku przy pracy.



Podczas pracy stosować środki ochrony wzroku przed wylatującymi cząstkami. Używać okularów ochronnych.



Zastosować środki zabezpieczające przed wdychaniem pyłu. Pewne materiały mogą zawierać składniki toksyczne. Zakładać maskę przeciwpyłową. Stosować przyrząd do odprowadzania pyłu, w razie możliwości podłączyć go do elektronarzędzia.

- Trzymać elektronarzędzie tylko za odizolowane powierzchnie podczas wykonywania pracy, kiedy element tnący może dotknąć ukrytej izolacji lub własnego przewodu elektrycznego. Dotknięcie powierzchni tnącej do przewodu pod napięciem stawia pod napięciem odsłonięte części metalowe elektronarzędzia i użytkownik zostanie porażony prądem.
- Materiał przeznaczony do obróbki należy zamocować na stabilnym podłożu i zabezpieczyć przed przesunięciem za pomocą zacisków lub w inny sposób. Jeżeli obrabiany element przytrzymywany jest ręką lub przyciskany do ciała, pozostaje on niestabilny, co może skutkować utratą kontroli nad nim.
- Nie obrabiać materiałów zawierających azbest. Azbest uważany jest za substancję rakotwórczą.
- Zaleca się używanie rękawic ochronnych.



OSTRZEŻENIE: Przed podłączeniem elektronarzędzia do sieci zasilania, upewnij się, że napięcie zasilania jest zgodne z napięciem podanym na tabliczce znamionowej elektronarzędzia.

- Źródło zasilania o napięciu wyższym od wskazanego na elektronarzędziu może spowodować poważne porażenie operatora prądem elektrycznym, jak również uszkodzenie elektronarzędzia.
- W razie wątpliwości, nie należy wkładać wtyczki elektronarzędzia do gniazda zasilania.
- Korzystanie ze źródła zasilania o napięciu niższym od wskazanego na tabliczce znamionowej elektronarzędzia spowoduje uszkodzenie silnika elektrycznego.
- W celu uniknięcia ewentualnego przegrzania, zawsze należy rozwijać do końca przewód przedłużacza z bębna kablowego.
- W razie konieczności korzystania z przedłużacza, upewnij się, że jego przekrój odpowiada wartościom prądu znamionowego używanego elektronarzędzia, jak również sprawdź sprawność przedłużacza.



OSTRZEŻENIE: Zawsze wyłączać elektronarzędzia i wyjmować wtyczkę z gniazda zasilania przed wykonaniem jakichkolwiek zabiegów nastawienia, obsługi lub konserwacji oraz w razie zaniku napięcia zasilania.

- Przed przystąpieniem do pracy usunąć z obrabianego detalu wszystkie gwoździe, wkręty i inne obce ciała. Przy zaczepieniu o gwoździe lub inne ciało metalowe można uszkodzić frez i elektronarzędzie, co stwarza przesłankę wypadku przy pracy.
- Nie włączać frezarki pod obciążeniem. Przed uruchomieniem elektronarzędzia upewnij się, że frez nie dotyka powierzchni obrabianej.
- Zawsze prowadzić frezarkę za pomocą obu uchwytów upewniając się, że maszyna jest trzymana mocno, przed przystąpieniem do wykonania jakiegokolwiek operacji.
- Zawsze wyłączać elektronarzędzie i odczekać do całkowitego zatrzymania obrotów frezu, zanim maszyna zostanie wycofana z obrabianego detalu.
- Nie dotykać frezu natychmiast po przerwaniu pracy narzędziem. Przyrząd tnący może być bardzo gorący i może poparzyć skórę.

- W strefie roboczej nie mogą się znajdować szmaty, ściereki, pakiety, sznury i in.
- Przewód zasilania powinien znajdować się poza obszarem pracy elektronarzędzia.
- Nie używać elektronarzędzia z uszkodzonym przewodem. Nie dotykać uszkodzonego przewodu oraz natychmiast wyciągnąć wtyczkę z gniazda sieci, jeżeli przewód ulegnie uszkodzeniu podczas pracy. Uszkodzone przewody zwiększają ryzyko doznania porażenia prądem.
- Nie używać zużytych lub uszkodzonych frezów. Zużyte lub uszkodzone frezy powodują zwiększone tarcie, mogą ulec uszkodzeniu i wywołać bicie.
- Elektronarzędzia używać wyłącznie zgodnie z jego przeznaczeniem. Każde inne zastosowanie odmienne od wskazanego w niniejszej instrukcji uważane jest za niewłaściwe. Odpowiedzialność za wszelkie uszkodzenia lub zranienia wynikające z niewłaściwego zastosowania spoczywa na użytkowniku, a nie na producencie.
- Prawidłowa eksploatacja niniejszego elektronarzędzia wymaga przestrzegania przepisów bezpieczeństwa, ogólnych instrukcji i wskazówek pracy wskazanych w tej instrukcji. Wszyscy użytkownicy powinni zapoznać się z niniejszą instrukcją obsługi i być poinformowani o potencjalnych ryzykach przy pracy elektronarzędziem. Dzieci i fizycznie słabi ludzie nie powinni używać tego narzędzia. Dzieci przebywające w pobliżu miejsca pracy elektronarzędzia należy obserwować bez przerwy. Obowiązkowo należy podjąć prewencyjne środki bezpieczeństwa. To samo dotyczy także przestrzegania podstawowych przepisów higieny i bezpieczeństwa pracy.
- Producent nie ponosi odpowiedzialności za dokonane przez użytkownika zmiany w elektronarzędziu lub za uszkodzenia spowodowane tego rodzaju zmianami.
- Elektronarzędzia nie używać na wolnym powietrzu w pogodzie deszczowej, w środowisku wilgotnym (po deszczu) lub blisko łatwopalnych płynów i gazów. Miejsce pracy powinno być dobrze oświetlone.

Zapoznanie z elektronarzędziem

Przed rozpoczęciem pracy elektronarzędziem należy zapoznać się wszystkimi szczegółami operacyjnymi i warunkami bezpieczeństwa. Używać elektronarzędzia i osprzętu wyłącznie

zgodnie z ich przeznaczeniem. Każde inne zastosowanie jest stanowczo zakazane.

1. Wyłącznik
2. Ogranicznik głębokości frezowania
3. Fiksator pozycji pionowej wspornika
4. Uchwyty
5. Śruba na dokręcenie silnika elektrycznego do wspornika
6. Trzypostopniowa opora pozycyjna
7. Linia prowadnicy równoległej
8. Podkład
9. Wrzeciono
10. Prowadnica równoległa
11. Śruby na dokręcenie prowadnicy równoległej
12. Prowadnice pionowe
13. Linia do odczytu głębokości frezowania
14. Regulator elektroniczny obrotów
15. Adapter do odkurzacza

Wytyczne pracy

Niniejsze elektronarzędzie zasilane jest tylko jednofazowym napięciem zmiennym. Nadaje się do podłączenia do gniazd bez zacisków ochronnych, ponieważ posiada podwójną izolację zgodnie z EN 60745-1 i IEC 60745. Zakłócenia radiowe odpowiadają wymogom Dyrektywy dotyczącej kompatybilności elektromagnetycznej.

Frezarki do drewna są ręcznymi elektronarzędziami przeznaczonymi do frezowania rowków, zaokrągleń, cięć ukośnych, krawędzi, krawędzi profilowych i otworów w drewnie, płytach pilśniowych i tworzywie sztucznym przy pomocy frezów palcowych i profilowych.

PRZED PRZYSTĄPIENIEM DO PRACY

- Sprawdzić, czy napięcie sieci zasilania odpowiada wartościom napięcia na tabliczce znamionowej elektronarzędzia.
- Sprawdzić w jakim położeniu znajduje się wyłącznik. Jeżeli wtyczka znajduje się w gnieździe podczas, gdy wyłącznik jest włączony, elektronarzędzie zacznie natychmiast pracować, co stanowi przesłankę do wypadku.
- Upewnić się, co do sprawności przewodu zasilania i wtyczki. W razie uszkodzenia przewodu zasilania, wymiany należy dokonać u producenta lub jego specjalisty, aby uniknąć ewentualnych niebezpieczeństw podczas wymiany.
- Sprawdzić czy średnica uchwyty frezu odpowiada wielkości otworu stosowanej tulei zaciskowej, sprawdzić także dopuszczalne

maksymalne obroty używanego narzędzia.

- Upewnić się, że frez został dobrze przymocowany do tulei zaciskowej.



OSTRZEŻENIE: Zawsze wyłączać elektronarzędzie i wyjmować wtyczkę z gniazda przed przystąpieniem do dokonania nastawienia, regulacji, obsługi lub konserwacji oraz w razie zaniku napięcia zasilania.

Frezarka przeznaczona jest do współpracy z frezami o średnicy uchwyty $\varnothing 6$ i $\varnothing 8$. Maksymalna średnica części roboczej frezu nie powinna przekraczać $\varnothing 30$ mm.

Wysokie obroty frezarki wymagają frezów wysokiej jakości, gwarantujących dostateczną długość eksploatacji (np. frezów wykonanych ze stali szybko tnącej (HSS) lub jeszcze lepiej - frezów posiadających płytki węglkowe (HM)). Używać osprzętu o dokładnej średnicy końcówki pasującej do odpowiedniej tulei zaciskowej, odpowiedniego do prędkości obrotowej elektronarzędzia.

URUCHOMIENIE – HAMOWANIE

- Uruchomienie: suwak wyłącznika 1 wypchnąć do przodu, aż jego przednia część wpadnie i zatrzyma się.
- Hamowanie: nacisnąć tylną podnoszoną część wyłącznika 1 i zostawić ją, aby sama wróciła do pozycji wyjściowej.



OSTRZEŻENIE: Przy temperaturze zewnętrznej pod 0°C , uruchamiać frezarkę tylko w pozycji "G" regulatora elektronicznego obrotów. Po kilku minutach pracy na biegu jałowym można używać frezarki także przy innych pozycjach regulatora.

REGULACJA OBROTÓW

Obroty można regulować płynnie z A do G, kręcąc potencjometr regulatora elektronicznego 14, który znajduje się z tylnej strony pokrywki silnika.

REGULACJA UCHWYTÓW

Wyciągnąć uchwyty każdy oddzielnie i zawrócić je do pozycji wygodniej do pracy, po czym opuścić uchwyty.

ZMIANA NARZĘDZIA

Aby było wygodnie, zdjąć silnik elektryczny ze

wspornika nośnego rozkręcając śrubę mocującą 5.

Za pomocą kluczy maszynowych S17 i S14 rozkręć nakrętkę III i zdjąć narzędzie IV z wrzeciona 9.

Włożyć nowe narzędzie do tulei zaciskowej II i dokręcić dobrze nakrętkę III.

Włożyć z powrotem silnik elektryczny do gniazda wspornika nośnego i dokręcić dobrze śrubę mocującą 5.

NASTAWIENIE GŁĘBOKOŚCI FREZOWANIA

Przed wszelkim nastawieniem zawsze wyłączać maszynę wyłącznikiem i czekać do zupełnego zatrzymania kręcenia narzędzia.

Spuszczać wspornik nośny, aż narzędzie dotknie powierzchni obrabianego elementu, unieruchomić za pomocą fiksatora 3 i odczytać pozycję według skali pionowej 13 jako wstępną (zerową).

Nastawić pierwszą stopień głębokości za pomocą ogranicznika 2 skierowanego do najwyższego poziomu trzypostopniowej opory pozycyjnej 6, odczytując rozmiar według skali pionowej 13 i unieruchomić wspornik nośny fiksatorem 3. Unieruchomić ogranicznik 2 za pomocą wkrętu skrzydełkowego (z góry nastawić trzy stopnie opory pozycyjnej do pożądaných poziomów).

Druga i trzecia stopień głębokości frezowania wybierane są kręceniem dysku trzypostopniowej opory pozycyjnej 6 i przysuwaniem wspornika nośnego do opierania ogranicznika 2 do odpowiedniego poziomu opory.

Kontrolować rozmiary według skali pionowej albo za pomocą kontrolnego (próbego) elementu.

PRACA PROWADNICĄ RÓWNOLEGLĄ

Prowadnica równoległa 10 służy do frezowania krawędzi i żłobków równolegle do nich na odpowiednią odległość. Nastawienie odległości wykonuje się za pomocą skali poziomej 7, po czym prowadnica równoległa 10 unieruchomiana jest śrubami 11.

FREZOWANIE WEDŁUG RYSUNKU TECHNICZNEGO (SZKICU)

Frezowanie wykonywane jest bez prowadnicy równoległej 10 według z góry nakreślonego szkicu na obrabianym elemencie. Dobre wyniki można osiągnąć przy mniejszych długościach.

FREZOWANIE DUŻYCH ELEMENTÓW

Używać deski pomocniczej zamocowanej do powierzchni obrabianej, aby kierować frezarką. Kierować frezarką obiema rękami, przyciskając płaską stroną podkładu 8 do deski pomocniczej.

FREZOWANIE Z ODSYSANIEM

Włożyć adapter do gniazda podkładu 8 z jego tylnej strony, części cylindrycznej do przodu. Dokręcić adapter dwiema śrubami do podkładu i umieścić osłonę przejrzystą. Średnica wewnętrzna adaptera do przyłączenia odkurzacza jest 35 mm.

OSPRZĘT WSPÓLPRACUJĄCY Z NIENIEJSZYM ELEKTRONARZĘDZIEM

- Fezy wykonane ze stali szybko tnącej HSS – o średnicy końcówki łączącej $\varnothing 6$ i $\varnothing 8$
- Fezy wykonane z płytek węglkowych HM - o średnicy końcówki łączącej $\varnothing 6$ i $\varnothing 8$

Konserwacja



OSTRZEŻENIE: Zawsze wyłączać elektronarzędzie i wyjmować wtyczkę z gniazda sieci przed dokonywaniem jakichkolwiek zabiegów kontrolnych lub konserwacyjnych.

WYMIANA SZCZOTEK

Elektronarzędzie wyposażone jest w samowylączające się szczotki. W przypadku zużycia szczotek, obie szczotki należy wymienić jednocześnie na oryginalne szczotki w serwisie naprawczym SPARKY w ramach konserwacji gwarancyjnej i pozagwarancyjnej.

OGÓLNE SPRAWDZENIE

Sprawdzać regularnie wszystkie elementy mocujące upewniając się, że zostały mocno dociągnięte. W przypadku rozluźnienia jakiegokolwiek wkrętu, należy go niezwłocznie dokręcić dla uniknięcia powstania sytuacji ryzykownych. W razie uszkodzenia kabla zasilania, wymianę należy wykonać u producenta lub w jego autoryzowany serwisie w celu uniknięcia ewentualnych komplikacji w wyniku wymiany.

CZYSZCZENIE

Dla bezpiecznej pracy należy zawsze utrzymywać w czystości elektronarzędzie i otwory wentylacyjne.

Sprawdzać regularnie, czy w kracie wentylacyjnej blisko silnika elektrycznego lub w okolicy przełączników nie przedostał się pył, lub ciała obce. Używać miękkiego pędzla do usuwania nagromadzonego pyłu. W celu ochrony oczu podczas czyszczenia zakładać okulary ochronne.

Otwory gwintowane należy utrzymywać w czystości.

Prowadnice pionowe 12 regularnie czyścić i smarować olejem.

Gdy trzeba oczyścić korpus elektronarzędzia, wytrzeć go miękką ściereczką nawilżoną. Można stosować także łagodny środek do mycia.



OSTRZEŻENIE: Nie wolno stosować spirytusu, benzyny lub innych rozpuszczalników. Nigdy nie stosować środków żrących do czyszczenia części plastikowych.



OSTRZEŻENIE: Nie wolno dopuścić do przedostania się wody do elektronarzędzia.

UWAGA! W celu zapewnienia bezpiecznej pracy elektronarzędziem i jego niezawodności, wszelkie czynności naprawcze, konserwacyjne i regulacyjne (w tym kontrola i wymiana szczotek), należy wykonywać w autoryzowanych serwisach naprawczych SPARKY, używając wyłącznie oryginalnych części zamiennych.

Gwarancja

Okres gwarancji elektronarzędzi SPARKY jest określony w karcie gwarancyjnej produktu.

Usterki spowodowane normalnym zużyciem, przeciążeniem lub niewłaściwą obsługą, nie podlegają gwarancji.

Uszkodzenia wynikłe z wady materiałowej lub błędów produkcyjnych zostaną usunięte bezpłatnie w drodze naprawy lub wymiany urządzenia.

Reklamacje uszkodzonych urządzeń SPARKY zostaną rozpatrzone jeśli zostaną dostarczone w stanie w jakim stwierdzono wadę, nie remontowane, wraz z dokumentem zakupu i kartą gwarancyjną do autoryzowanego serwisu lub punktu sprzedaży.

Informacja

Przed użyciem należy dokładnie przeczytać niniejszą instrukcję.

Narzędzia SPARKY są stale ulepszane w związku z tym otrzymany produkt może nieznacznie różnić się od tego ukazanego w niniejszej instrukcji. Producent zapewnia sobie prawo do wprowadzania zmian bez uprzedzenia.

Specyfikacja może się różnić w zależności od kraju.

Содержание

Введение	65
Технические данные	67
Общие указания по безопасности при работе с электроинструментами	68
Дополнительные указания по безопасности при работе с фрезерной машиной.....	70
Ознакомление с электроинструментом	A/71
Указания к работе.....	71
Обслуживание	73
Гарантия.....	75

РАСПАКОВКА

В соответствии с общепринятыми технологиями производства вероятность обнаружения неисправности новоприобретенного Вами электроинструмента или нехватки какой-нибудь из его частей весьма мала. Если все-таки Вы обнаружите любое несоответствие, просим не начинать использование электроинструмента перед заменой неисправной части или устранения дефекта. Невыполнение этой рекомендации может быть причиной серьезных несчастных случаев.

СГЛОБКА

Фрезерная машина смонтирована перед упаковкой и отправкой, за исключением адаптера отвода пыли и параллельной направляющей.

Введение

Новоприобретенный Вами электроинструмент SPARKY превзойдет Ваши ожидания. Его производство подчиняется высоким стандартам качества SPARKY, отвечающим строгим требованиям потребителя. Удобный для обслуживания и безопасный в эксплуатации, этот электроинструмент при правильном употреблении будет служить безотказно долгие годы.

ПРЕДОСТЕРЕЖЕНИЕ!



Прочтите внимательно и целиком инструкцию по эксплуатации перед использованием новоприобретенного электроинструмента SPARKY. Обратите специальное внимание на параграфы, обозначенным словом “Предостережение”. У Вашего электроинструмента SPARKY много качеств, которые облегчают работу. При разработке этого инструмента основное внимание было направлено на безопасность, эксплуатационные качества и надежность, которые облегчают его обслуживание и эксплуатацию.



Не выбрасывать электроинструменты вместе с бытовыми отбросами!

Отбросы электрических изделий нельзя собирать вместе с бытовыми отбросами. Они должны быть рециклированы на местах, предназначенных специально для этих целей. Просим обратиться к местным властям или к нашему представителю для получения информации насчет рециклирования.

ЗАЩИТА ОКРУЖАЮЩЕЙ СРЕДЫ



Для предохранения окружающей среды электроинструменты, принадлежности и упаковки должны быть переработаны подходящим образом для повторно использования содержащихся в них материалов. Для облегчения процесса рециклирования детали, сделанные из искусственных материалов, обозначены соответствующим способом.

ОПИСАНИЕ СИМВОЛОВ

На табличке с данными электроинструмента нанесены специальные символы, содержащие важную информацию о продукте или инструкции по использованию.



Двойная изоляция для дополнительной защиты.



Электроника для предварительной настройки скорости вращения.



Подсоединение к пылесосу.



Соответствует релевантным европейским директивам.



Соответствует требованиям правил Таможенного союза.



Соответствует требованиям украинским нормативным документам.



Ознакомьтесь с инструкцией по эксплуатации.

YYYY-Www

Период производства, где переменные символы означают:


YYYY - год производства,

ww – очередная календарная неделя.

X

Фреза.

Технические данные

Модель	X 52E
Потребляемая мощность	500 W
Скорость вращения на холостом ходу	8000-33000 min ⁻¹
Электроника для предварительной настройки скорости вращения	да
Подсоединение к пылесосу	да
Зажим инструмента	Ø6; Ø8 mm
Макс. вертикальный ход фрезы (глубина фрезерования)	52 mm
Вес (ЕРТА процедура 01/2014)	2,8 kg
Класс защиты (EN 60745-1) 	II

ИНФОРМАЦИЯ О ШУМЕ И ВИБРАЦИЯХ

Значения замерялись в соответствии со стандартом EN 60745.

Излучение шума

A-взвешенный уровень звукового давления L _{РА}	82,0 dB (A)
Неопределенность K _{РА}	3,0 dB (A)
A-взвешенный уровень звуковой мощности L _{WA}	93,0 dB (A)
Неопределенность K _{WA}	3,0 dB (A)

Используйте средства для защиты от шума!

Излучение вибраций *

Суммарные значения вибраций (векторная сумма трех направлений) определенные в соответствии с EN 60745:

Фрезерование каналов в древесно-стружечной плите

Значение излученных вибраций a _n	3,5 m/s ²
Неопределенность K	1,5 m/s ²

* Уровень вибраций измерен в соответствии с т.6.2.7 EN 60745.

Указанный в настоящую инструкцию уровень вибраций измерен в соответствии с установленную EN 60745 методику испытаний и может использоваться для сравнения электроинструментов. Уровень вибраций может использоваться для предварительной оценки воздействия.

Указанный уровень вибраций дан при условии использования инструмента по его прямому назначению. В тех случаях, когда электроинструмент используется для других целей, с другими принадлежностями, уровень вибраций может отличаться от указанного. В этих случаях уровень воздействия может значительно возрасти в рамках общего периода работы.

Для точной оценки воздействия вибраций во время определенного периода работы необходимо учитывать промежутки времени, в которые электроинструмент выключен, либо хотя и включен, но фактически не используется. Это может существенно сократить воздействия вибраций в течение всего периода работы.

Сохраняйте электроинструмент и его принадлежности в хорошем состоянии. Во время работы старайтесь сохранять руки теплыми - это поможет уменьшить вредное воздействие при работе с повышенной вибрацией.

Пыль материалов, как с краски с содержанием свинца, некоторых сортов древесины, минералов и металла может быть вредной для здоровья. Прикосновение к пыли и попадание пыли в дыхательные пути может вызвать аллергические реакции и/или заболевания дыхательных путей оператора или находящегося вблизи персонала.

Определенные виды пыли, как из дуба и бука, считаются канцерогенными, особенно, совместно с присадками для обработки древесины (хромат, средство для защиты древесины). Материал с содержанием асбеста разрешается обрабатывать только специалистам.

- По возможности применяйте отсос пыли.

- Для достижения максимально высокой эффективности собирания пыли при работе с данным электроинструментом, используйте пылесос, предназначенный для сбора пыли из древесины или для пыли из древесины и/или минеральной пыли.
 - Следите за хорошей вентиляцией.
 - Рекомендуется пользоваться дыхательной защитной маской с фильтром класса P2.
- Соблюдайте действующие в Вашей стране предписания для обрабатываемых материалов.

Общие указания по безопасности при работе с электроинструментами



ПРЕДОСТЕРЕЖЕНИЕ! Прочитайте все предупреждения и указания по безопасности. Несоблюдение предупреждений и указаний по безопасности может привести к поражению электрическим током, от пожара и/или серьезные ранения.

Сохраните все предупреждения и указания для дальнейшего использования.

Термин “электроинструмент” во всех указанных ниже предупреждениях касается вашего электроинструмента, с питанием от сети (с кабелем) и/или электроинструмент с питанием от аккумуляторной батареи (без кабеля).

1) Безопасность рабочего места

- а) Содержите рабочее место в чистоте и хорошо освещенным. Беспорядок и недостаточное освещение являются предпосылками трудовых инцидентов.
- б) Не работайте с электроинструментами во взрывоопасной атмосфере при наличии воспламеняющихся жидкостей, газов или пыли. Электроинструменты создают искры, которые могут воспламенить пыль или пары.
- в) Держите детей и посторонних лиц на расстоянии, когда работаете с электроинструментом. Рассеивание может привести к потере контроля с Вашей стороны.

2) Электрическая безопасность

- а) Штепселя электроинструментов должны соответствовать контактным

гнездам. Никогда не меняйте штепсель каким-либо способом. Не используйте какие-либо адаптерные штепселя для электроинструментов с защитным заземлением. Использование оригинальных штепселей и соответствующим им контактов уменьшает риск от удара электрическим током.

- б) Избегайте соприкосновения тела с землей или с заземленными поверхностями, такими как трубы, радиаторы, кухонные плиты и холодильники. Если ваше тело заземлено, существует повышенный риск поражения электрическим током.
- в) Не оставляйте электроинструменты под дождем или во влажной среде. Проникновение воды в электроинструменты повышает риск от поражения электрическим током.
- г) Используйте кабель по назначению. Никогда не используйте кабель для переноса электроинструмента, натягивания или отключения штепселя из контактного гнезда. Держите кабель далеко от тепла, масла, острых углов или движущихся частей. Поврежденные или запутанные кабели повышают риск от поражений электрическим током.
- д) Во время наружной работы с электроинструментом используйте удлинитель, подходящий для этих целей. Использование удлинителя, предназначенного для внешних /наружных/ работ, уменьшает опасность от поражения электрическим током.
- е) В случае, если работа с электроинструментом во влажной среде неизбежна, используйте предохранительное устройство, которое задействовано от остаточного тока для прерывания подачи тока. Использование предохранительного устройства уменьшает риск от поражения электрическим током.

3) Личная безопасность

- a) Будьте бдительными, работайте с повышенным вниманием и проявляйте благоразумие, когда работаете с электроинструментом. Не используйте электроинструмент, когда вы устали или находитесь под влиянием наркотиков, алкоголя или медикаментов. Момент невнимания при работе с электроинструментом может привести к серьезной производственной травме.
- b) Используйте индивидуальные средства защиты. Носите всегда защитные очки. Индивидуальные средства защиты, такие как маска против пыли, нескользкая обувь, защитный шлем или средства для защиты слуха, используемые в конкретных условиях, снижают риск от производственных травм.
- c) Избегайте невольного пуска инструмента. Убедитесь, что выключатель находится в положение „выключено” перед включением к источнику питания и/или аккумуляторной батарее перед тем, как его возьмете в руки или переносите. Ношение электроинструмента с пальцем на выключателе или подключение к источнику питания электроинструмента с выключателем во включенном положении является предпосылкой для производственной травмы.
- d) Удалите каждый ключ для затягивания или гаечный ключ перед включением электроинструмента. Ключ для затягивания или гаечный ключ, прикрепленный к вращающейся части электроинструмента, может привести к трудовому инциденту.
- e) Не перетягивайтесь. Поддерживайте правильное положение и равновесие в течение всей работы. Это позволит лучше управлять электроинструментом при неожиданных ситуациях.
- f) Носите подходящую рабочую одежду. Не носите широкую одежду или украшения. Держите свои волосы, одежду и перчатки далеко от движущихся частей. Широкая одежда, бижутерия или длинные волосы могут попасть в движущиеся части.
- g) Если электроинструмент снабжен приспособлением для пыли, убедитесь, что оно правильно установлены и правильно используются. Использование этих устройств может пони-

зить связанные с пылью опасности.

4) Эксплуатация и уход за электроинструментами

- a) Не перегружайте электроинструмент. Используйте правильно выбранный электроинструмент согласно его предназначению. Правильно подобранный электроинструмент работает лучше и безопасней для объявленного режима работы, для которого он спроектирован.
- b) Не используйте электроинструмент в случае, если выключатель не переключается во включенное и исключенное положение. Каждый электроинструмент, который не может управляться с помощью его выключателя, опасен и подлежит ремонту.
- c) Отключите штепсель от электросети перед тем, как начать любые настройки, перед заменой принадлежностей или перед тем, как убрать электроинструмент для хранения. Эти меры предосторожности снижают риск невольного пуска электроинструмента.
- d) Сохраняйте неиспользованные электроинструменты в местах, недоступных для детей и не позволяйте обслуживающему персоналу, который не знаком с электроинструментом или инструкциями по эксплуатации, работать с ним. Электроинструменты являются опасными в руках необученных потребителей.
- e) Проверяйте электроинструменты. Проверьте, работают ли нормально и движутся ли свободно движущиеся части, находятся ли в целости и исправности части, а также проверяйте все прочие обстоятельства, которые могут неблагоприятно повлиять на работу электроинструмента. Если он поврежден, электроинструмент необходимо отремонтировать перед его дальнейшим использованием. Много инцидентов причиняются от плохо обслуживаемых электроинструментов.
- f) Поддерживайте режущие инструменты острыми и чистыми. Правильно поддерживаемые режущие инструменты с острыми режущими углами реже блокируются и проще управляются.
- g) Используйте электроинструмент, принадлежности и части инструмента и т.д. в соответствии с этими инструкциями и способом, предусмотренным

для конкретного типа электроинструмента, имея ввиду рабочие условия и работу, которую необходимо выполнять. Использование электроинструмента для работы не по назначению может привести к опасной ситуации.

5) Обслуживание

а) Ремонтуйте ваш электроинструмент у квалифицированного специалиста по ремонту, при этом используйте только оригинальные запасные части. Это обеспечивает сохранение безопасности электроинструмента.

Дополнительные указания по безопасности при работе с фрезерной машиной



Пользуйтесь средствами защиты слуха при работе с фрезерной машиной. Воздействие шума может привести к потере слуха.

• Во время работы всегда используйте обе рукоятки. Потеря контроля может привести к производственным травмам.



Во время работы используйте средства защиты зрения, чтобы предохраниться от выделяющихся частиц. Пользуйтесь защитными очками.



Берите предохранительные меры против вдоха пыли. Некоторые материалы могут содержать токсические составы. Пользуйтесь пылезащитной маской и устройством пылеотвода.

• В случае потенциальной возможности касания режущей принадлежности до скрытой электропроводки или до собственного питающего шнура, держите электроинструмент только за изолированные поверхности рукояток. Контакт принадлежности с токоведущим проводом ставит под напряжение также открытые металлические части электроинструмента и может привести к поражению оператора электрическим током.

• Закрепляйте и фиксируйте заготовку на стабильном основании с помощью

струбины или другим способом. Если вы будете удерживать заготовку рукой или прижимать ее к себе, ее положению будет недостаточно стабильно, в результате чего возможна утрата контроля над электроинструментом.

- Не разрешается обрабатывать материалы, содержащие асбест. Асбест считается канцерогенным веществом.
- Рекомендуется использование защитных рукавиц.



ПРЕДОСТЕРЕЖЕНИЕ: Перед подключением электроинструмента к сети питания проверить соответствие между напряжением сети и данными, указанными на табличке с техническими данными электроинструмента.

- Подключение к источнику питания с напряжением выше указанного для электроинструмента может привести к тяжелым поражениям оператора электрическим током, а также к повреждению инструмента.
- При сомнении и колебании любого вида нельзя включать штепсель инструмента в розетку.
- Использование источника питания с напряжением ниже указанного на табличке электроинструмента может привести к повреждению электродвигателя.
- Если необходимо использование удлинителя, сечение проводов должно соответствовать номинальному току использованного электроинструмента. Удлинитель должен быть в полной исправности.
- Во избежание эвентуального перегрева следует всегда разматывать до конца кабель удлинителя с кабельным барабаном.



ПРЕДОСТЕРЕЖЕНИЕ: Перед выполнением каких-либо работ по настройке, ремонту и обслуживанию, а также при отпадании напряжения питания обязательно выключить электроинструмент и вынуть штепсель из розетки.

- Перед началом работы устранить все гвозди, винты и прочие чужие тела из обрабатываемой детали. Контакт фрезы с гвоздем или другим металлическим предметом грозит повреждением фрезы и машины, а также может быть причиной несчастных случаев.
- Не допускается включать машину под на-

- грузкой. Перед включением машины проверить, что фреза не касается обрабатываемой поверхности.
- Вождение фрезерной машины осуществлять при использовании обеих ручек. Перед началом любой операции проверить надежность захвата ручек.
 - При выключении электроинструмента дождаться полного останова вращения фрезы перед отделением машины от обрабатываемой детали.
 - Не касаться фрезы рукой сразу после работы. Фреза может быть нагрета до высокой температуры, что грозит ожогом кожи рук.
 - В рабочей области недопустимо наличие тряпок, полотенца, пакли, бечевки, шнуров и пр.
 - Кабель питания должен находиться всегда вне рабочей зоны машины.
 - Не использовать электроинструменты с поврежденным кабелем. Не касаться поврежденного кабеля. Вынуть немедленно штепсель из розетки, если повреждение кабеля наступило во время работы. Неисправность кабеля грозит токовым поражением.
 - Не применяйте тупые или поврежденные фрезы. Тупые или поврежденные фрезы создают повышенное трение, могут заклинить и ведут к дисбалансу.
 - Электроинструмент использовать только по назначению. Любое другое применение, отличающееся от указанного в настоящей инструкции, будет считаться неправильным использованием. Производитель не несет никакой ответственности за ущерб и травмы, являющиеся следствием неправильного использования.
 - Для обеспечения правильной эксплуатации электроинструмента следует соблюдать правила безопасности, общие инструкции и указания по работе, перечисленные здесь. Все потребители должны быть ознакомлены с настоящей инструкцией эксплуатации и предупреждены о потенциальных рисках, связанных с работой инструмента. Нельзя допускать дети и физически слабые osoby к работе с электроинструментом. Дети, находящиеся в близости рабочей зоны машины, должны быть под непрерывным наблюдением. Принятие предупредительных мер безопасности обязательно. То же самое обязательно и касательно соблюдения основных правил профессиональной охраны здоровья и безопасности.

- Производитель не несет никакой ответственности за внесенные потребителем изменения и модификации машины, а также за повреждения и ущербы в результате таких изменений.
- Машину не следует использовать под открытым небом при дождливой погоде, во влажной среде (после дождя) или в близости легко воспламеняемых жидкостей и газов. Рабочее место должно быть хорошо освещено.

Ознакомление электроинструментом

До того, как приступить к работе с электроинструментом, познакомьтесь со всеми оперативными особенностями и условиями безопасности.

Используйте электроинструмент и его принадлежность только по назначению. Всякое другое применение абсолютно запрещено.

1. Выключатель
2. Ограничитель глубины фрезерования
3. Фиксатор вертикального положения консоли
4. Рукоятки
5. Винт фиксации электродвигателя к консоли
6. Трехпозиционный упор
7. Горизонтальная шкала
8. Станина
9. Шпиндель
10. Параллельная направляющая
11. Винты фиксации параллельной направляющей
12. Вертикальные направляющие
13. Вертикальная шкала
14. Электронный регулятор
15. Адаптер для пылеотсоса

Указания к работе

Эти электроинструменты подключаются только в однофазное непостоянное напряжение. Имеют двойную изоляцию согласно EN 60745-1 и IEC 60745 и могут подключаться к контактам без защитных клемм. Радиопомехи соответствуют Директивы Европейского парламента и Совета относительно электромагнитной совместимости.

Фрезы по дереву представляют собой ручные электроинструменты, предназначенные для фрезеровки пазов, закруглений, снятия фасок, оформления угловых профилей, окантовок и отверстий в древесных породах, древесных плитах, пластмассах, при помощи пальцевых и профильных фрезероальных насадок.

ПЕРЕД НАЧАЛОМ РАБОТЫ

- Напряжение электросети соответствует обозначенному на табличке с техническими данными электроинструмента.
- Выключатель находится в выключенном состоянии. Подключение к сети и отключение от нее производятся только при выключенном выключателе.
- Проверить состояние штепселя и кабеля питания. В случае обнаружения повреждения кабеля его замена должна быть выполнена производителем или специалистом фирменного сервиса во избежание риска замены неподходящим кабелем.
- Проверить соответствие диаметра хвостовика фрезы с отверстием использованного патрона и типа фрезы с максимальными оборотами, допустимыми для этой машины.
- Проверить надежность закрепления фрезы в патроне.



ПРЕДОСТЕРЕЖЕНИЕ: Всегда отключайте электроинструмент и вынимайте штепсель из розетки перед тем, как приступить к любой настройке, обслуживанию или поддержанию, а также в случае отсутствия электрического напряжения.

Эта фрезерная машина предназначена для работы с фрезами с диаметром хвостовиков 6 и 8 мм. Максимальный диаметр рабочей части на фрезера не должна превышать Ø30 мм. Высокие обороты требуют применения высококачественных фрез с длительным сроком работы (например, фрез из быстрорежущей стали HSS или с режущей частью на основе пластин из твердых сплавов - НМ). Пользуйтесь рабочими насадками (фрезами) с четко соответствующим диаметром хвостовика для соответствующей цанги и оборотам вращения шпинделя.

ПУСК - ОСТАНОВКА

- Пуск: ползун выключателя 1 сдвигается

вперед, пока его передняя часть не попадет в углубление и не застынет.

- Останов: Задний, приподнятый край ползуна 1 нажимается и оставляется самостоятельно вернуться в исходное положение.



ПРЕДОСТЕРЕЖЕНИЕ: При температуре воздуха ниже 0 градусов фрезерная машина запускается в положении «G» электронного регулятора. После нескольких минут работы на холостом ходу, она может использоваться и при других положениях регулятора.

РЕГУЛИРОВКА СКОРОСТИ ВРАЩЕНИЯ

Скорость вращения можно изменять плавно путем поворота от «А» до «G» потенциометра электронного регулятора 14, расположенного на задней стороне крышки двигателя.

РЕГУЛИРОВКА РУКОЯТОК

Отведите по отдельности рукоятки и проверните их до положения, удобного для работы, после чего отпустите рукоятки.

ЗАМЕНА НАСАДОК

Для удобства снимите электродвигатель с несущей консоли, отвинтив фиксирующий винт 5.

С помощью гаечных ключей на S17 и S14 открутите гайку III и снимите инструмент IV со шпинделя 9.

Вставьте новый инструмент в цангу II и прочно затяните гайку III.

Установите электродвигатель обратно в гнездо несущей консоли и крепко затяните фиксирующий винт 5.

НАСТРОЙКА ГЛУБИНЫ РЕЗКИ

Опустите несущую консоль до соприкосновения инструмента с поверхностью обрабатываемой детали, застопорите консоль фиксатором 3 и учтите положение консоли по вертикальной шкале 13 как начальное (нулевое).

Настройте первую степень глубины посредством ограничителя 2 и самого высокого уровня трехпозиционного упора 6, установив глубину хода по вертикальной шкале 13 от начального положения консоли, и застопорите несущую консоль фиксатором 3. Засто-

порите также ограничитель 2 посредством винта-барашка (три уровня трехпозиционной опоры предварительно должны быть выставлены на требуемую высоту).

Вторая и третья степень глубины обеспечиваются поворотом диска трехпозиционного уровня 6 и перемещением несущей консоли до ограничителя соответствующего уровня. Контролируйте размер по вертикальной шкале или с помощью шаблона.

РАБОТА С ПАРАЛЛЕЛЬНОЙ НАПРАВЛЯЮЩЕЙ

Параллельная направляющая 10 служит для фрезерования кромок и канавок параллельно с ними на определенном расстоянии. Расстояние устанавливается с помощью горизонтальной шкалы 7, после его установки параллельная направляющая 10 фиксируется винтами 11.

ФРЕЗЕРОВАНИЕ ПО ЧЕРТЕЖУ (НАБРОСКУ)

Фрезерование осуществляется без параллельной направляющей 10 по предварительному наброску.

Лучшие результаты достигаются при меньших длинах фрезерования.

ОБРАБОТКА ГРОМОЗДКИХ ДЕТАЛЕЙ

Для ведения фрезы пользуйтесь вспомогательной доской, прикрепленной к обрабатываемой поверхности. Фрезерная машина передвигается двумя руками, а плоская сторона основания 8 прижимается к вспомогательной доске.

ФРЕЗЕРОВАНИЕ С ПЫЛЕОТСОСОМ

Установите адаптер в гнездо основы 8 с нижней стороны цилиндрической частью вперед. Притяните его двумя винтами к основанию и поставьте прозрачный экран. Внутренний диаметр адаптера для присоединения шланга пылесоса - 35 мм.

ОСНАСТКА К ЭЛЕКТРОИНСТРУМЕНТУ

- Фрез из быстрорежущей стали HSS - Ø6; Ø8
- Фрез с режущей частью на основе пластин из твердых сплавов HM - Ø6; Ø8

Обслуживание



ПРЕДОСТЕРЕЖЕНИЕ: Всегда выключайте электроинструмент и вытаскивайте штепсель из розетки перед каждой проверкой или осуществлением ухода.

ЗАМЕНА ЩЕТОК

Электроинструмент оснащен самовыключающимися щетками. Когда щетки изнашиваются машина выключается автоматически. В таком случае обе щетки должны быть заменены одновременно оригинальными щетками в сервисе SPARKY по гарантийному внегарантийному обслуживанию.

ОБЩАЯ ПРОВЕРКА

Проверяйте регулярно все элементы крепления и убедитесь в том, что они крепко затянуты. В том случае, если какой-либо винт ослаблен, незамедлительно затяните его во избежание ситуаций, связанных с риском. Если кабель питания поврежден, замена должна быть осуществлена производителем или его сервисным специалистом во избежание опасностей, связанных с заменой.

УБОРКА

Для безопасной работы всегда содержите машину и вентиляционные отверстия в чистоте.

Регулярно проверяйте, не проникли ли в вентиляционные отверстия электродвигателя или около переключателей пыль или инородные тела. Используйте мягкую щетку и/или струю сгущенного воздуха, чтобы устранить накопившуюся пыль. Для защиты глаз во время уборки носите защитные очки.

Резбовые отверстия должны быть чистыми. Необходимо регулярно чистить и смазывать маслом направляющие 12.

Если корпус машины нужно почистить, протрите его мягкой влажной тряпкой. Можно использовать слабый препарат для мытья.



ПРЕДОСТЕРЕЖЕНИЕ: Не допускается использование спирта, бензина или других растворителей. Никогда не используйте разъедающие препараты для чистки пластмассовых частей.



ПРЕДОСТЕРЕЖЕНИЕ: Не допускается контакт воды с машиной.

ВАЖНО! Чтобы обеспечить безопасную работу электроинструментом и его надежность, все действия по ремонту, обслуживанию и регулированию (включительно проверку и замену щеток) следует осуществлять в специализированных сервисах SPARKY с использованием только оригинальных резервных частей.

Гарантия

Гарантийный срок электроинструментов SPARKY указан в гарантийной карте.

Неисправности, появившиеся в результате естественного изнашивания, перегрузки или неправильной эксплуатации, не входят в гарантийные обязательства.

Неисправности, появившиеся вследствие применения некачественных материалов и/или из-за производственных ошибок, устраняются без дополнительной оплаты путем замены или ремонта.

Рекламации дефектного электроинструмента SPARKY принимаются в том случае, если машина будет возвращена поставщику, или специализированному гарантийному сервису в не разобранном (первоначальном) состоянии.

Замечания

Внимательно прочтите всю инструкцию по эксплуатации перед тем, как приступить к использованию этого изделия.

Производитель сохраняет за собой право вносить в свои изделия улучшения и изменения, а также изменять спецификации без предупреждения.

Спецификации для разных стран могут различаться.

Зміст

Введення	75
Технічні дані	77
Загальні вказівки з безпеки при роботі з електроприладами	78
Додаткові вказівки з техніки безпеки під час роботи з фрезерувальною машиною	79
Ознайомлення з електроінструментом	A/81
Вказівки щодо роботи	81
Обслуговування	83
Гарантія	84

РОЗПАКУВАННЯ

У відповідності з загальноприйнятими технологіями великосерійного виробництва, майже не існує ризику поломки Вашого електроінструменту, або відсутності будь-якої з його частин. Якщо ви все ж таки встановите пошкодження, не використовуйте електроінструмент до тих пір, поки дефектна частина не буде замінена, а несправність - усунена. Порушення цієї рекомендації може призвести до серйозного трудового інциденту.

ЗБІРКА

Фрезерувальна машина постачається у повністю зібраному вигляді, за винятком адаптера відводу пилу та паралельної направляючої.

Введення

Придбаний Вами електроінструмент SPARKY перевершить Ваші очікування. Він зроблений у відповідності до високих стандартів якості SPARKY, що відповідають суворим вимогам споживача. Його легко обслуговувати і він безпечний при експлуатації, при правильному використанні цей електроінструмент буде служити Вам довгі роки.

ЗАСТЕРЕЖЕННЯ!



Прочитайте уважно і цілком інструкцію з експлуатації, перед використанням новопридбаного електроінструменту SPARKY. Зверніть спеціальну увагу на параграфи, позначених словом "Застереження". У Вашого електроінструменту SPARKY багато якостей, які полегшують роботу. При розробці цього інструменту основну увагу було направлено на безпеку, експлуатаційні якості і надійність, які полегшують його обслуговування і експлуатацію.



Не викидайте електроінструменти разом з побутовими відходами!

Відходи від електричних виробів не варто збирати разом з побутовими відходами. Будь ласка, викидайте в місцях, призначених для цього. Зв'яжіться з місцевою владою або представником для консультації щодо повторної переробки.

ОХОРОНА НАВКОЛИШНЬОГО СЕРЕДОВИЩА



З урахуванням охорони навколишнього середовища електроінструмент, приналежності й упаковка повинні надати відповідній переробці для повторного використання сировини, що міститься в них. Для полегшення повторної переробки деталей, зроблених з штучних матеріалів, вони позначені відповідним чином.

ОПИС СИМВОЛІВ

Табличка з даними електродріля містить спеціальні символи. Вони є важливою інформацією про використання інструмента та його характеристики.



Подвійна ізоляція для додаткового захисту.



Електроніка для попереднього налаштування швидкості обертання



Підключення до пирососа.



Відповідає чинним європейським директивам.



Відповідає регламентам Митного союзу.



Відповідає вимогам українських нормативних документів.




Ознайомтеся з інструкцією з експлуатації.

YYYY-Www Термін виробництва, де змінними символами є:
YYYY - рік випуску,
ww - черговий календарний тиждень.

X Фреза.

Технічні дані

Модель	X 52E
Споживана потужність	500 W
Швидкість обертання на неробочому ході	8000-33000 min ⁻¹
Електроніка для попереднього налаштування швидкості обертання	так
Можливість підключення до пиłosоса	так
Затискач інструмента	Ø6; Ø8 mm
Макс. вертикальний хід фрези (глибина фрезерування)	52 mm
Вага (EPTA процедура 01/2014)	2,8 kg
Клас захисту (EN 60745-1) 	II

ІНФОРМАЦІЯ ПРО ШУМ ТА ВІБРАЦІЇ

Значення замірялися відповідно до стандарту EN 60745.

Випромінювання шуму

A-зважений рівень звукового тиску L _{рА}	82,0 dB(A)
Невизначеність K _{рА}	3,0 dB(A)
A-зважений рівень звукової потужності L _{wА}	93,0 dB(A)
Невизначеність K _{wА}	3,0 dB(A)

Використовуйте засоби для захисту від шуму!

Випромінювання вібрацій *

Сумарні значення вібрацій (векторна сума трьох напрямків) визначені відповідно до EN 60745:

Фрезерування каналів у дерев'яно-стружковій плиті	
Значення випромінених вібрацій a _h	3,5 m/s ²
Невизначеність K	1,5 m/s ²

* Рівень вібрацій виміряно у відповідності з т.6.2.7 EN 60745.

Вказаний в інструкції рівень вібрацій виміряний відповідно до встановлених EN 60745 методик випробувань, і може використовуватися для порівняння електроінструментів. Рівень вібрацій може використовуватися для попередньої оцінки впливу.

Зазначений рівень вібрацій надано за умови використання інструменту за його прямим призначенням. У тих випадках, коли електроінструмент використовується для інших цілей, з іншими речами, рівень вібрацій може відрізнятись від зазначеного. У цих випадках рівень впливу може значно зрости в рамках загального періоду роботи.

Для точної оцінки впливу вібрацій, під час певного періоду роботи необхідно враховувати проміжки часу, в які електроінструмент вимкнено, або хоча і включений, але фактично не використовується. Це може істотно скоротити вплив вібрацій протягом всього періоду роботи.

Зберігайте електроінструмент і його речі в гарному стані. Під час роботи намагайтеся зберігати руки теплими - це допоможе зменшити шкідливий вплив при роботі з підвищеною вібрацією.

Пил матеріалів, наприклад - фарби з вмістом свинцю, деяких сортів деревини, мінералів і металу може бути шкідливим для здоров'я. Дотик до пилу і потрапляння пилу в дихальні шляхи може викликати алергічні реакції та / або захворювання дихальних шляхів оператора або персоналу, що знаходиться поблизу.

Певні види пилу, наприклад, з дуба та бука, вважаються канцерогенними, особливо, спільно з присадками для обробки деревини (хромат, засіб для захисту деревини, тощо). Матеріал з вмістом азбесту дозволяється обробляти тільки фахівцям.

- По можливості застосовуйте відсмоктування пилу.
- Для досягнення максимально високої ефективності збирання пилу при роботі з даним приладом, використовуйте пиłosос, призначений для збору пилу з деревини або для пилу з деревини та / або мінерального пилу.
- Слідкуйте за хорошою вентиляцією.
- Рекомендується користуватися дихальною захисною маскою з фільтром класу P2.

Дотримуйтеся розпорядження щодо оброблюваних матеріалів, що діють у Вашій країні.

Загальні вказівки з безпеки при роботі з електроприладами



ЗАСТЕРЕЖЕННЯ! Прочитайте всі попередження і вказівки з безпеки. Недодержання попереджень і вказівок з безпеки може призвести до ураження електричним струмом, пожежі та / або важкого поранення.

Збережіть всі попередження та вказівки для подальшого використання.

Термін “електроприлад” у всіх зазначених нижче попередженнях стосується вашого електроприладу, з живленням від мережі (з кабелем), та / або електроприладу з живленням від акумуляторної батареї (без кабелю).

1) Безпека робочого місця

- a) Утримайте робоче місце в чистоті і добре освітленим. Безлад і недостатнє освітлення є передумовою виникнення трудових інцидентів.
- b) Не працюйте з електроприладами у вибухонебезпечній атмосфері при наявності займих рідин, газів або пилу. Електроприлади створюють іскри, що можуть займати пил або пари.
- c) Тримайте дітей та сторонніх осіб на відстані, коли працюєте з електроприладом. Розсіювання уваги може призвести до втрати контролю з Вашого боку.

2) Електрична безпека

- a) Штепселі електроприладів повинні відповідати контактним гніздам. Ніколи не змінюйте штепсель у будь-який спосіб. Не використовуйте будь-які адаптерні штепселі для електроприладів із захисним заземленням. Використання оригінальних штепселів і відповідних їм контактів зменшує ризик удару електричним струмом.
- b) Уникайте дотику тіла з землею або заземленими поверхнями, такими як труби, радіатори, кухонні плити та холодильники. Якщо ваше тіло заземлене, існує підвищений ризик ураження електричним струмом.
- c) Не залишайте електроприлади під до-

щем або у вологому середовищі. Проникнення води в електроприлади підвищує ризик ураження електричним струмом.

- d) Використовуйте кабель за призначенням. Ніколи не використовуйте кабель для перенесення електроприладу, натягування або відключення штепселя з контактної гнізда. Тримайте кабель далеко від тепла, олії, гострих кутів, що рухаються. Пошкоджені або заплутані кабелі підвищують ризик поразок електричним струмом.
- e) Під час зовнішніх робіт використовуйте подовжувач, що підходить для цих цілей. Використання подовжувача, призначеного для зовнішніх робіт, зменшує небезпеку від ураження електричним струмом.
- f) У випадку, якщо робота з електроприладом у вологому середовищі неминуча, використовуйте запобіжний пристрій, який робить на залишковому струмі для переривання подачі струму. Використання запобіжного пристрою зменшує ризик ураження електричним струмом.

3) Особиста безпека



- a) Будьте пильні, працюйте з підвищеною увагою і проявляйте розсудливість, коли працюєте з електроприладом. Не використовуйте електроприлад, коли ви стомлені, або під впливом наркотиків, алкоголю, медикаментів, тощо. Одна мить неухваги при роботі з електроприладом може призвести до серйозної виробничої травми.
- b) Використовуйте індивідуальні засоби захисту. Носіть завжди захисні окуляри. Індивідуальні засоби захисту, такі як маска проти пилу, неслизьке взуття, захисний шолом або засоби для захисту слуху, що використовуються в конкретних умовах, знижують ризик виникнення виробничих травм.
- c) Уникайте мимовільного пуску інструменту. Переконайтеся, що вимикач знаходиться в положенні “вимкнено” перед включенням в джерело живлення та / або акумуляторної батареї, перед тим, візьмете в руки або перенесите. Носіння електроприладу з пальцем на вимикачі або підключення до джерела живлення електроінструменту з вимикачем у включеному положенні є передумовою для виробничої травми.

- d) Видаліть кожен гайковий ключ перед включенням електроприладу. Ключ для затягування або гайковий ключ, прикріплений до частини електроприладу, що обертається, може призвести до трудового інциденту.
 - e) Не простягайтеся занадто. Підтримуйте правильне положення і рівновагу протягом всієї роботи. Це дозволить краще керувати електроприладом у несподіваних ситуаціях.
 - f) Носіть придатний одяг. Не носіть широкий одяг або прикраси. Тримайте своє волосся, одяг і рукавички далеко від рухомих частин. Широкий одяг, біжутерія та довге волосся можуть потрапити в рухомі частини.
 - g) Якщо електроприлад має пристосовання для пилю, переконайтеся, що воно правильно встановлено і правильно використовується. Використання цих пристроїв може знизити пов'язані з пилом небезпеки.
- 4) Експлуатація і догляд за електроприладами**
- a) Не перевантажуйте електроприлад. Використовуйте правильно вибраний електроприлад згідно з його призначенням. Правильно підібраний електроприлад працює краще і безпечніше для оголошеного режиму роботи, для якого він спроектований.
 - b) Не використовуйте електроприлад у випадку, якщо вимикач не переходить у включену і виключену позицію. Кожен електроприлад, який не може управлятися за допомогою вимикача, є небезпечним і підлягає ремонту.
 - c) Вимкніть штепсель від електромережі перед тим, як почати будь-які налаштування, перед заміною приладдя або перед тим, як прибрати електроприлад для зберігання. Ці запобіжні заходи знижують ризик мимовільного пуску електроприладу.
 - d) Зберігайте невикористані електроприлади в місцях, недоступних для дітей, і не дозволяйте користуватися ним обслуговуючому персоналу, який не знайомий з електроприладом або інструкціями з експлуатації. Електроприлади є небезпечними в руках ненавчених споживачів.
 - e) Перевіряйте електроприлади. Перевіряйте, чи працюють нормально і рухаються вільно рухомі частини, чи

знаходяться в цілості і справності усі частини, а також перевіряйте всі інші обставини, які можуть негативно вплинути на роботу електроприладу. У разі ушкоджень електроприлад необхідно відремонтувати перед його подальшим використанням. Багато інцидентів заподіюються у випадку поганого обслуговування електроприладів.

- f) Підтримуйте різучі інструменти гострими і чистими. Правильно підтримані різучі інструменти з гострими кутами рідше блокуються і простіше управляються.
 - g) Використовуйте електроприлад, приналежності (комплектуючі) і частини інструменту і т.д. відповідно до цих інструкцій та у засіб, передбачений для конкретного типу електроприладу, маючи на увазі робочі умови і роботу, яку необхідно виконувати. Використання електроприладу для роботи не за призначенням може призвести до небезпечної ситуації.
- 5) Технічне обслуговування**
- a) Ремонтуйте ваш електроприлад у кваліфікованого фахівця з ремонту, причому використовуйте тільки оригінальні запасні частини. Це забезпечує безпеку електроприладу.

Додаткові вказівки з техніки безпеки під час роботи з фрезерувальною машиною

-  Користуйтеся засобами захисту слуху під час роботи з фрезерувальною машиною. Вплив шуму може призвести до втрати слуху.
- Під час роботи завжди використовуйте обидві рукоятки. Втрата контролю може призвести до виробничих травм.
-  Під час роботи використовуйте засоби захисту зору, щоб вберегтися від частинок, що виділяються. Користуйтеся захисними окулярами.



Використовуйте запобіжні засоби проти вдихання пилу. Деякі матеріали можуть містити токсичні складові. Користуйтеся пилозахисною маскою і пристроєм пиловідводу.

- Якщо існує можливість ріжучого приладдя з прихованою електропроводкою або з власним шнуром живлення, тримайте електроінструмент тільки за ізольовані поверхні рукояток. Контакт приладдя зі струмоведучим проводом ставить під напругу також відкриті металеві частини електроінструменту і може призвести до ураження оператора електричним струмом.
- Закріплюйте і фіксуйте заготовку на стабільній поверхню за допомогою струбцини або іншим чином. Якщо ви будете тримати заготовку рукою або притискувати до себе, це не забезпечить достатньої стабільності, що може призвести до втрати контролю.
- Не обробляти матеріали, що містять азбест. Азбест вважається канцерогенною речовиною.
- Рекомендується використовувати захисні рукавиці.



ЗАСТЕРЕЖЕННЯ: Перед тим, як підключити електроінструмент в електромережу, перевірте відповідність напруги, зазначеної на таблиці з технічними даними електроінструменту.

- Джерело живлення з напругою, що перевищує зазначену на електроінструменті, може викликати серйозне ураження електричним струмом оператора або електроінструменту, а також до пошкодження інструменту.
- У разі будь-яких сумнівів, не вставляйте штепсель електроінструменту у контактне гніздо.
- Використання джерела живлення з більш низькою ніж позначеною на таблиці електроінструменту напругою зашкодить електродвигуну.
- Якщо необхідно скористатися подовжувачем, переконайтеся у тому, що його переріз відповідає номінальному току використовуваного електроінструменту. Подовжувач має бути справним.
- Для того, щоб уникнути перегріву інструменту, завжди повністю розкручуйте ка-

бель подовжувача, що його намотано на кабельний барабан.



ЗАСТЕРЕЖЕННЯ: Перед виконанням будь-яких робіт із налаштування, ремонту та обслуговування, а також у разі падіння напруги живлення обов'язково вимкніть електроінструмент і вийміть штепсель із розетки.

- Перед тим, як розпочати роботу, видаліть з оброблюваного об'єкту всі гвіздки, шурупи тощо. Контакт фрези з гвіздком або іншим металевим предметом може призвести до пошкодження фрези та машини, що, в свою чергу, може спричинити нещасний випадок.
- Не дозволяється вмикати машину під навантаженням. Перед увімкненням машини перевірте, щоб фреза не торкалася оброблюваної поверхні.
- Керування фрезерною машиною здійснюйте, використовуючи обидві ручки. Перед початком будь-якої операції перевірте надійність кріплення ручок.
- Під час вимкнення електроінструменту дочекайтеся повної зупинки обертання фрези перед відділенням машини від оброблюваної деталі.
- Не торкайтеся фрези рукою відразу після роботи. Фреза може бути нагріта до високої температури, що загрожує опіком шкіри рук.
- У робочій зоні не прийнятна наявність ганчірок, рушників, паклі, мотузок, шнурків тощо.
- Кабель живлення повинен завжди знаходитися поза робочою зоною машини.
- Не використовувати електроприлади з пошкодженим кабелем. Не торкатися пошкодженого кабелю. Вийміть негайно штепсель із розетки, якщо кабель був пошкоджений під час роботи. Несправність кабелю може призвести до ураження струмом.
- Не використовуйте тупі та пошкоджені фрези. Тупі та пошкоджені фрези створюють підвищене тертя, можуть заблокувати фрезу та призводять до дисбалансу.
- Електроінструмент використовувати тільки за призначенням. Будь-яке інше застосування, відмінне від зазначеного у цій інструкції, вважатиметься неправильним застосуванням. Виробник не несе ніякої відповідальності за збитки і травми, що є наслідком неправильного застосування.

- Для забезпечення правильної експлуатації електроінструмента слід дотримуватися правил безпеки, загальних інструкцій та вказівок щодо роботи що тут перераховуються. Всі споживачі повинні бути ознайомлені з цією інструкцією з експлуатації та попереджені про потенційні ризики, пов'язані з роботою інструменту. Не можна допускати дітей і фізично слабких осіб до роботи з електроінструментом. Діти, що знаходяться поблизу робочої зони машини, повинні перебувати під постійним спостереженням. Прийняття запобіжних заходів безпеки обов'язкове. Так само обов'язковим є дотримання основних правил охорони праці, здоров'я і безпеки.
- Виробник не несе жодної відповідальності за зміни і модифікації машини, що вносяться споживачем, а також за пошкодження та збитки у результаті таких змін.
- Машину не слід використовувати під відкритим небом під час дощової погоди, у вологому середовищі (після дощу) або поблизу легкозаймистих рідин і газів. Робоче місце має бути добре освітлене.

Ознайомлення з електроінструментом

До того, як розпочати роботу з електроінструментом, ознайомтеся з усіма робочими особливостями й умовами безпеки. Використовуйте електроінструмент і його приладдя тільки за призначенням. Будь-яке інше застосування абсолютно заборонене.

1. Вимикач
2. Обмежувач глибини фрезерування
3. Фіксатор вертикального положення консолі
4. Рукоятки
5. Гвинт фіксації електродвигуна до консолі
6. Трьохпозиційний натиск
7. Горизонтальна шкала
8. Станіна
9. Шпindel
10. Паралельна направляюча
11. Гвинти фіксації паралельною напрямної.
12. Вертикальні напрямні
13. Вертикальна шкала
14. Електронний регулятор
15. Адаптер для пиловідсмоктування

Вказівки щодо роботи

Ці електроінструменти під'єднуються тільки до однофазної непостійної напруги. Мають подвійну ізоляцію згідно EN 60745 і IEC 60745-1 і можуть підключатися до контактів без захисних клем. Радіоперешкоди відповідають Директиві Європейського парламенту та Ради щодо електромагнітної сумісності.

Фрези по дереву – це ручні електроінструменти, призначені для фрезерування пазів, заокруглень, зняття фасок, оформлення кутових профілів, окантовок і отворів у породах деревини, дерев'яних плитах, пластмасах, за допомогою пальцевих і профільних фрезерувальних насадок.

ПЕРЕД ПОЧАТКОМ РОБОТИ

- Перевірте відповідність напруги електромережі щодо позначених на табличці технічним даним електроінструменту.
- Вимикач має знаходитись у вимкненому положенні. Електроінструмент слід підключати та відключати від мережі живлення тільки якщо вимикач вимкнений.
- Перевірте стан штепселя та кабелю живлення. У разі виявлення пошкодження кабелю, його заміна повинна бути виконана виробником або фахівцем фірмового сервісу щоб уникнути ризику його заміни.
- Перевірте відповідність діаметру хвостовика фрези з отвором патрону та типом фрези з максимальними обертами, доступними для цієї машини.
- Перевірте надійність закріплення фрези у патроні.



ЗАСТЕРЕЖЕННЯ: Завжди відключайте електроінструмент та виймайте штепсель із розетки перед будь-яким налаштуванням, обслуговуванням або підтриманням роботи, а також у разі відсутності електричної напруги.

Ця фрезерувальна машина призначена для роботи з фрезами з діаметром хвостовиків 6 та 8 мм. Максимальний діаметр робочої частини на фрезері не має перевищувати Ø30 mm. Високі оберти вимагають застосування високоякісних фрез з тривалим терміном експлуатації (наприклад, фрези зі швидкоріжучої сталі HSS або з ріжучою частиною на основі пластин з твердих сплавів - HM). Використо-

вуйте робочі насадки (фрезери) з відповідним діаметром хвостовика для відповідної чанги та обертами шпинделя.

ПУСК - ЗУПИНКА

- Пуск: важіль вимикача 1 зсувається вперед, поки його передня частина не потрапить у заглиблення і не застопориться.
- Зупинка: Задній, підведений край важеля 1 натискається і залишається для самостійного повернення у початкове положення.



ЗАСТЕРЕЖЕННЯ: Якщо температура повітря нижче 0 градусів, фрезерувальна машина запускається у положення «G» електронного регулятора. Після декількох хвилин роботи на холостому ході, він може працювати і при інших положеннях регулятора.

РЕГУЛЮВАННЯ ШВИДКОСТІ ОБЕРТАННЯ

Швидкість обертання можна змінювати плавно шляхом повороту від «А» до «G» потенціометра електронного регулятора 14, розміщеного на задній частині сторони кришки двигуна.

РЕГУЛЮВАННЯ РУКОЯТОК

Відведіть кожну рукоятку окремо та поверніть їх у зручне для роботи положення, після чого відпустіть рукоятки.

ЗАМІНА НАСАДОК

Для зручності зніміть електродвигун з несучої консолі, попередньо відкрутіть фіксуючий гвинт 5.

За допомогою гайкових ключем S17 та S14 відкрутіть гайку III та зніміть інструмент IV зі шпинделя 9.

Вставте новий інструмент у чангу II та міцно затягніть гайку III.

Встановіть електродвигун назад у гніздо несучої консолі та міцно зафіксуйте гвинт 5.

НАЛАШТУВАННЯ ГЛИБИНИ РІЗАННЯ

Опустіть несучу консоль так, щоб інструмент торкався поверхні оброблюваної деталі, заблокуйте консоль фіксатором 3 та встановіть положення консолі по вертикальній шкалі 13 як початкове (нульове).

Налаштуйте перший ступінь глибини за допомогою обмежувача 2 та самого високого рівня трьохпозиційного упору 6, встановивши глибину руху за вертикальною шкалою 13 від початкового положення консолі, та заблокуйте несучу консоль фіксатором 3. Заблокуйте також обмежувач 2 за допомогою гвинта-баранця (три рівні трьохпозиційної опори попередньо мають бути встановлені на необхідну висоту).

Другий та третій ступінь глибини забезпечується поворотом диска трьохпозиційного рівня 6 та переміщенням несучої консолі до обмежувача відповідного рівня.

Контролюйте глибину за допомогою вертикальної шкали або шаблону.

РОБОТА З ПАРАЛЕЛЬНОЮ НАПРАВЛЯЮЧОЮ

Паралельна направляюча 10 використовується для фрезерування кромки та канавок паралельно з ними на певній відстані.

Відстань встановлюється за допомогою горизонтальної шкали 7, після його встановлення паралельна направляюча 10 фіксується гвинтами 11.

ФРЕЗЕРУВАННЯ ПО КРЕСЛЕННЮ (НАРИСУ)

Фрезерування здійснюється без паралельної направляючої 10 за попереднім нарисом.

Кращі результати досягаються при найменших довжинах фрезерування.

ОБРОБКА ГРОМІЗДКИХ ДЕТАЛЕЙ

Для ведення фрези користуйтеся допоміжною дошкою, прикріпленою до оброблюваної поверхні. Ведіть фрезерну машину обома руками, притискаючи пласку сторону основи 8 до допоміжної дошки.

ФРЕЗЕРУВАННЯ З ПИЛОВІДСМОК-ТУВАЧЕМ

Встановіть адаптер у гніздо основи 8 з нижньої сторони циліндричною частиною вперед. Затягніть його двома гвинтами до основи та встановіть прозорий екран. Внутрішній діаметр адаптера для під'єднання шлангу пилососа – 35 мм.

ПРИЛАДДА ЕЛЕКТРОІНСТРУМЕНТУ

- Фреза з швидкоріжучої стали HSS - Ø6; Ø8
- Фреза з ріжучою частиною на основі пластин з твердих сплавів HM - Ø6; Ø8

Обслуговування



ЗАСТЕРЕЖЕННЯ: Завжди вимикайте електроінструмент і витягуйте штепсель із розетки перед кожною перевіркою або здійсненням догляду.

ЗАМІНА ЩІТОК

Електроінструмент оснащений щітками, що вимикаються самостійно. Коли щітки зношуються, машина вимикається автоматично. У такому разі обидві щітки повинні бути замінені одночасно оригінальними щітками у сервісі SPARKY по гарантійному та позагарантійному обслуговуванню.

ЗАГАЛЬНА ПЕРЕВІРКА

Перевіряйте регулярно всі елементи кріплення і переконайтеся у тому, що вони міцно затягнуті. У тому випадку, якщо який-небудь гвинт послаблений, негайно затягніть його, щоб уникнути ситуацій, пов'язаних із ризиком.

Якщо кабель живлення пошкоджений, заміна повинна бути здійснена виробником або його сервісним фахівцем, щоб уникнути небезпек, пов'язаних із заміною.

ОЧИЩЕННЯ

Для безпечної роботи завжди тримайте машину і її вентиляційні отвори у чистоті.

Регулярно перевіряйте, чи не проникли у вентиляційні отвори електродвигуна або навколо перемикачів пил або сторонні предмети. Використовуйте м'яку щітку та/або струмінь згущеного повітря, щоб усунути пил, що накопичився. Для захисту очей під час прибирання носіть захисні окуляри.

Різьбові отвори мають бути чистими.

Необхідно регулярно чистити та змащувати мастилом напрямні 12.

Якщо корпус машини потрібно почистити, протріть його м'якою вологою ганчіркою. Можна використовувати слабкий мийний засіб.



ЗАСТЕРЕЖЕННЯ: Не допускається використання спирту, бензину або інших розчинників. Ніколи не використовуйте препарати, що роз'їдають, для чищення пластмасових частин.



ЗАСТЕРЕЖЕННЯ: Не допускається контакт води з машиною.

ВАЖЛИВО! Щоб забезпечити безпечну роботу електроінструменту і його надійність, всі дії з ремонту, обслуговування та регулювання (враховуючи перевірку і заміну щіток) слід здійснювати у спеціалізованих сервісах SPARKY з використанням тільки оригінальних запасних частин.

Гарантія

Гарантійний термін електроприладів SPARKY вказаний в гарантійній карті.

Несправності, що з'явилися в результаті природного зношування, перевантаження або неправильного користування, не входять до гарантійних зобов'язань.

Несправності, що з'явилися внаслідок застосування неякісних матеріалів та / або через виробничі помилки, усуваються без додаткової оплати шляхом заміни або ремонту.

Рекламації дефектного електроприладу SPARKY приймаються у тому випадку, якщо прилад буде повернуто постачальнику, або спеціалізованому гарантійного сервісу в не розібраному (початковому) стані.

Примітки

Уважно прочитайте всю інструкцію з експлуатації, перед тим, як приступити до використання виробу.

Виробник зберігає за собою право вносити у свої вироби поліпшення і зміни, а також змінювати специфікації без попередження.

Специфікації для різних країн можуть відрізнятися.

Съдържание

Въведение	85
Технически данни	87
Общи указания за безопасност при работа с електроинструменти	88
Допълнителни указания за безопасност при работа с фрези	90
Запознаване с електроинструмента	A/91
Указания за работа	91
Поддръжка	93
Гаранция	94

РАЗОПАКОВАНЕ

В съответствие с общоприетите технологии на производство е малко вероятно новопридобитият от Вас електроинструмент да е неизправен или някоя от частите му да липсва. Ако забележите, че нещо не е наред, не работете с електроинструмента, докато повредената част не бъде заменена или неизправността не бъде отстранена. Неспазването на тази прелопоръка може да доведе до сериозна трудова злополука.

СГЛОБЯВАНЕ

Фрезата се доставя опакована и сглобена, с изключение на адаптера за прахоотвеждане и паралелния водач.

Въведение

Новопридобитият от Вас електроинструмент SPARKY ще надхвърли Вашите очаквания. Той е произведен в съответствие с високите стандарти на качеството на SPARKY, отговарящи на строгите изисквания на потребителя. Лесен за обслужване и безопасен при експлоатация, при правилна употреба този електроинструмент ще Ви служи надеждно дълги години.

ПРЕДУПРЕЖДЕНИЕ!



Внимателно прочетете цялата инструкция за използване преди да използвате новопридобития си електроинструмент SPARKY. Обърнете специално внимание на текстовете, които започват с думата “Предупреждение”. Вашият електроинструмент SPARKY притежава много качества, които ще улеснят Вашата работа. При разработката на този електроинструмент най-голямо внимание е обърнато на безопасността, експлоатационните качества и надеждността, които го правят лесен за поддръжка и експлоатация.



Не изхвърляйте електроинструменти заедно с битовите отпадъци!

Отпадъците от електрически изделия не трябва да се събират заедно с битовите отпадъци. Моля, рециклирайте на местата, предназначени за това. Свържете се с местните власти или представител за консултация относно рециклирането.

ОПАЗВАНЕ НА ОКОЛНАТА СРЕДА



С оглед опазване на околната среда електроинструментът, принадлежностите и опаковката трябва да бъдат подложени на подходяща преработка за повторно използване на съдържащите се в тях суровини.

За облекчаване на рециклирането детайлите, произведени от изкуствени материали, са обозначени по съответния начин.

ОПИСАНИЕ НА СИМВОЛИТЕ

Върху табелката с данни на електроинструмента са означени специални символи. Те предоставят важна информация за изделието или инструкциите за неговото ползване.



Двойна изолация за допълнителна защита.



Електроника за предварителен избор на скоростта.



Свързване към прахосмукачка.



Съответства на приложимите европейски директиви.



Съответства на изискванията на регламентите на Митническия съюз.



Съответства на изискванията на украинските нормативни документи.




Запознайте се с инструкцията за използване.

YYYY-Www Период на производство, където променливи символи са:
YYYY - година на производство,
ww - поредна календарна седмица.

X Фреза.

Технически данни

Модел	X 52E
Консумирана мощност	500 W
Обороти на празен ход	8000-33000 min ⁻¹
Електроника за предварителен избор на оборотите	да
Свързване към прахосмукачка	да
Диаметър на цангите	Ø6; Ø8 mm
Макс. дълбочина на фрезозане	52 mm
Тегло (ЕРТА процедура 01/2014)	2,8 kg
Клас на защита (EN 60745-1) 	II

ИНФОРМАЦИЯ ЗА ШУМ И ВИБРАЦИИ

Стойностите са измерени съгласно EN 60745.

Излъчване на шум

A-претеглено ниво на звуково налягане L _{рА}	82,0 dB(A)
Неопределеност K _{рА}	3,0 dB(A)
A-претеглено ниво на звукова мощност L _{wА}	93,0 dB(A)
Неопределеност K _{wА}	3,0 dB(A)

Използвайте средства за защита от шума!

Излъчване на вибрации *

Обща стойност на вибрациите (векторна сума по трите оси), определена съгласно EN 60745:

Фрезозане на канали в талашит	
Стойност на излъчените вибрации a _h	3,5 m/s ²
Неопределеност K	1,5 m/s ²

* Вибрациите са определени съгласно т. 6.2.7 на EN 60745.

Посоченото в тази инструкция ниво на вибрации е измерено в съответствие с методиката за изпитване, указана в EN 60745 и може да се използва за сравняване на електроинструменти. Нивото на вибрации може да се използва за предварителна оценка на степента на въздействие.

Декларираното ниво на вибрации се отнася за основното предназначение на електроинструмента. В случаите, при които електроинструментът се използва за друго предназначение, с други принадлежности или ако електроинструментът не се поддържа добре, нивото на вибрации може да се различава от посоченото. В тези случаи нивото на въздействие може значително да нарасне в границите на общия период на работа.

При оценката на нивото на въздействие на вибрации трябва също да се отчита времето, през което електроинструментът е изключен или е включен, но не се използва. Това може значително да понижи нивото на въздействие в границите на общия период на работа.

Поддържайте електроинструмента и принадлежностите в добро състояние. Пазете ръцете си топли по време на работа - това ще намали вредното въздействие при работа с повишени вибрации.

Прахът, отделян при обработването на материали като оловосъдържащи бои, някои видове дървесина, минерали и метали, може да бъде опасен за здравето. Допирът или вдишването на праха може да предизвика алергични реакции и/или заболявания на дихателните пътища на оператора или на намиращи се в близост лица.

Някои видове прах, например от дъб или бук, се считат за канцерогенни, особено в комбинация с добавки за обработка на дървесина (хромат, консерванти). Материал, който съдържа азбест, трябва да се обработва само от специалисти.

- Когато това е възможно, използвайте прахоотвеждане.
- За да се постигне висока степен на прахоулавяне, при работа с този електроинструмент използвайте прахосмукачка, предназначена за събиране на прах от дървесина или за прах от дървесина и/или минерален прах.

- Осигурете добра вентилация на работното място.
 - Препоръчва се използването на защитна маска за прах с филтър клас P2.
- Спазвайте действащите във вашата страна разпоредби за обработване на съответните материали.

Общи указания за безопасност при работа с електроинструменти



ПРЕДУПРЕЖДЕНИЕ! Четете всички предупреждения и указания за безопасност. Неспазването на предупрежденията и указанията за безопасност може да предизвика поражение от електрически ток, пожар и/или сериозно нараняване.

Запазете всички предупреждения и указания за бъдещо ползване.

Терминът “електроинструмент” във всички описани по-долу предупреждения се отнася до вашия електроинструмент, захранван от мрежата (с шнур) и/или електроинструмент, захранван от акумулаторна батерия (без шнур).

1) Безопасност на работното място

- Поддържайте работното място чисто и добре осветено. Безпорядъкът и недостатъчното осветление са предпоставка за трудови злополуки.
- Не работете с електроинструменти в експлозивни атмосфери при наличие на запалими течности, газове или прах. Електроинструментите образуват искри, които могат да възпламенят праха или парите.
- Дръжте децата и страничните лица на разстояние, когато работите с електроинструмент. Разсейването може да доведе до загуба на контрол от Ваша страна.

2) Електрическа безопасност

- Щепселите на електроинструментите трябва да съответстват на контактите. Никога не променяйте щепсела по какъвто и да било начин. Не използвайте каквито и да са адаптерни щепсели за електроинструменти със защитно заземяване. Употребата

на непроменени щепсели и съответстващите им контакти намалява риска за поражение от електрически ток.

- Избягвайте допир на тялото до земя или до заземени повърхности, такива като тръби, радиатори, кухненски печки и хладилници. Ако тялото ви е заземено, съществува повишен риск от поражение от електрически ток.
 - Не излагайте електроинструментите надъжд или във влажна среда. Проникването на вода в електроинструмента повишава риска от поражение от електрически ток.
 - Използвайте шнура по предназначение. Никога не използвайте шнура за носене на електроинструмента, опъване или изваждане на щепсела от контактното гнездо. Дръжте шнура далече от топлина, масло, остри ръбове или движещи се части. Уредени или оплетени шнурове повишават риска за поражение от електрически ток.
 - При работа с електроинструмента на открито, използвайте удължител, подходящ за работа на открито. Използването на удължител, подходящ за работа на открито, намалява риска от поражение от електрически ток.
 - Ако работата с електроинструмента във влажна среда е неизбежна, използвайте предпазно устройство, задействано от остатъчен ток, за прекъсване на захранването. Използването на предпазно устройство намалява риска от поражение от електрически ток.
- ### 3) Лична безопасност
- Бъдете бдителни, работете с повишено внимание и проявявайте благоразумие, когато работите с електроинструмент. Не използвайте електроинструмента, когато сте уморени или под влияние на наркотици, алкохол или медикаменти. Момент на невнимание при работа с електроинструмент може да предизвика сериозна трудова злополука.
 - Използвайте лични предпазни сред-

ства. Носете винаги средства за защита на очите. Лични предпазни средства, като маска против прах, неплъзгащи се безопасни обувки, защитен шлем или средства за защита на слуха, използвани при конкретните условия, намаляват риска от трудови злополуки.

- c) Избягвайте неволно пускане. Убедете се, че прекъсвачът е в изключено положение преди включване към източник на захранване и/или акумулаторна батерия, преди да го вземете или пренасяте. Носенето на електроинструмент с пръст върху прекъсвача или свързването към източник на захранване на електроинструмент с прекъсвач във включено положение е предпоставка за трудова злополука.
 - d) Отстранете всеки ключ за затягане или гаечен ключ преди включване на електроинструмента. Ключ за затягане или гаечен ключ, прикрепен към въртяща се част на електроинструмента, може да предизвика трудова злополука.
 - e) Не се пресягайте. Поддържайте правилен стоеж и равновесие през цялото време. Това позволява по-добро управление на електроинструмента при неочаквани ситуации.
 - f) Носете подходящо работно облекло. Не носете широки дрехи или бижута. Дръжте косите си, дрехите и ръкавиците далеч от движещи се части. Широки дрехи, бижута или дълги коси могат да се захванат от движещи се части.
 - g) Ако електроинструментът е снабден с приспособления за засмукване и улавяне на прах, убедете се, че те са свързани и правилно използвани. Използването на тези устройства може да намали свързаните с прах опасности.
- 4) Използване и грижи за електроинструментите
- a) Не претоварвайте електроинструмента. Използвайте правилно избрания електроинструмент според приложението. Правилно избраният електроинструмент работи по-добре и по-безопасно при обявения режим на работа, за който е проектиран.
 - b) Не използвайте електроинструмента, ако прекъсвачът не превключва във включено и изключено положение.

Всеки електроинструмент, който не може да бъде управляван с прекъсвач, е опасен и трябва да бъде ремонтиран.

- c) Разединете щепсела от захранващата мрежа преди да извършите всякакви настройки, преди замяна на принадлежности или преди да приберете електроинструмента за съхранение. Тези предпазни мерки за безопасност намаляват риска от неволно пускане на електроинструмента.
 - d) Съхранявайте неизползваните електроинструменти на места, недостъпни за деца и не позволявайте на обслужващи лица, които не познават електроинструмента или не са запознати с тези инструкции, да работят с него. Електроинструментите са опасни в ръцете на необучени потребители.
 - e) Поддържайте електроинструментите. Проверявайте движещите се части дали функционират нормално и се движат свободно, целостта и изправността на частите, както и за всякаво друго обстоятелство, което може неблагоприятно да повлияе на работата на електроинструмента. Ако е повреден, електроинструментът трябва да бъде ремонтиран преди понататъшно използване. Много злополуки са причинени от лошо поддържани електроинструменти.
 - f) Поддържайте режещите инструменти остри и чисти. Правилно поддържаните режещи инструменти с остри режещи ръбове е по-малко вероятно да блокират и са по-лесни за управление.
 - g) Използвайте електроинструмента, принадлежностите и частите на инструмента и т.н. в съответствие с тези инструкции и по начин, предвиден за конкретния тип електроинструмент, като вземате предвид работните условия и работата, която трябва да се извършва. Използването на електроинструмента за работа, различна от тази, за която е проектиран, може да предизвика опасна ситуация.
- 5) Обслужване
- a) Поддържайте вашия електроинструмент при квалифициран специалист по ремонт, като използвате само оригиналните резервни части. Това осигурява запазването на безопасността на електроинструмента.

Допълнителни указания за безопасност при работа с фрези



Използвайте средства за защита на слуха при работа с фрези. *Интензивният шум по време на работа може да предизвика слухови увреждания.*

- По време на работа винаги използвайте двете ръкохватки. *Загубата на контрол може да предизвика трудова злополука.*



По време на работа използвайте средства за защита на зрението, за да се предпазите от хвърчащи частици. *Носете защитни очила.*



Вземете предпазни мерки срещу вдишване на прах. *Някои материали могат да съдържат токсични съставки. Носете прахозащитна маска. Използвайте устройство за прахоотвеждане, ако е възможно присъединяването му към електроинструмента.*

- Дръжте електроинструмента само за изолираните повърхности за захващане когато извършвате операция, при която режещата принадлежност може да допре до скрита ел.инсталация или до собствения шнур. *Допирът на режещата принадлежност до проводник под напрежение ще постави откритите метални части на електроинструмента под напрежение и операторът ще получи токов удар.*
- Закрепете обработвания детайл към стабилна основа с винтови скоби или по друг подходящ начин. *Ако държите детайла в ръка или го придържате към тялото си, детайлът ще бъде нестабилен, което може да предизвика загуба на контрол над електроинструмента.*
- Не обработвайте материали, съдържащи азбест. Азбестът се счита за канцерогенно вещество.
- Препоръчва се използването на защитни ръкавици.



ПРЕДУПРЕЖДЕНИЕ: Преди да свържете електроинструмента към захранващата мрежа, убедете се че захранващото напрежение отговаря на посоченото върху табелката с технически данни на електроинструмента.

- Източник на захранване с напрежение, по-високо от посоченото за електроинструмента, може да предизвика както сериозно поражение от електрически ток върху оператора, така и повреда на електроинструмента.
- Ако имате някакви колебания, не поставяйте щепсела на електроинструмента в контактното гнездо.
- Използването на източник на захранване с напрежение, по-ниско от обозначеното върху табелката на електроинструмента, ще увреди електродвигателя.
- За да се предотврати евентуално прегряване, винаги развивайте докрай кабела от удължител с кабелен барабан.
- Когато се налага използването на удължител, убедете се, че сечението му отговаря на номиналния ток на използвания електроинструмент, както и в изправността на удължителя.



ПРЕДУПРЕЖДЕНИЕ: Винаги изключвайте електроинструмента и изваждайте щепсела от контакта преди извършване на каквато и да било настройка, обслужване или поддръжка и при отпадане на захранващото напрежение.

- Преди започване на работа отстранете от обработвания детайл всички гвоздеи, винтове и други тела. При връзване в гвоздей или друго метално тяло можете да повредите фрезера и електроинструмента, което е предпоставка за трудова злополука.
- Не включвайте фрезата под товар. Преди да включите машината се убедете, че фрезерът не допира обработваната повърхност.
- Винаги водете фрезата, като използвате и двете ръкохватки и се уверете, че държите машината здраво, преди да започнете някаква операция.
- Винаги изключвайте електроинструмента и изчакайте до пълното спиране на въртене на фрезера, преди да отдръпнете машината от обработвания детайл.

- Не докосвайте фрезера веднага след преустановяване на работа с него. Фрезерът може да бъде много горещ и да получите изгаряне на кожата.
- В работната област не се допуска наличие на парцали, кърпи, кълчища, канап, шнулове и др.
- Дръжте захранващия кабел извън работния обсег на машината.
- Не използвайте електроинструмента с повреден кабел. Не докосвайте повредения кабел и извадете щепсела от контакта, ако кабелът се повреди по време на работа. Повредените кабели повишават риска от токов удар.
- Не използвайте износени или повредени фрезери. Износените или повредени фрезери създават повишено триене, могат да се заклинят и да предизвикват биене.
- Електроинструментът трябва да се използва само по предназначение. Всякаква друга употреба, различаваща се от описаната в тази инструкция, ще се счита за неправилна употреба. Отговорността за всякаква повреда или нараняване, произтичащи от неправилна употреба, ще се носи от потребителя, а не от производителя.
- За да експлоатирате правилно този електроинструмент, трябва да съблюдавате правилата за безопасност, общите инструкции и указанията за работа, посочени тук. Всички потребители трябва да са запознати с тази инструкция за експлоатация и информирани за потенциалните рискове при работата с електроинструмента. Деца и физически слаби хора не трябва да използват електроинструмента. Децата трябва да бъдат под непрекъснато наблюдение ако се намират в близост до място, където се работи с електроинструмента. Задължително е да предприемете и превантивни мерки за безопасност. Същото се отнася и за спазването на основните правила за професионалното здраве и безопасност.
- Производителят не носи отговорност за извършени от потребителя промени върху електроинструмента или за повреди, предизвикани от подобни промени.
- Електроинструментът е предназначен за работа в помещения и зони с нормална пожарна опасност съгласно "НАРЕДБА № 13-1971 за строително-технически правила и норми за осигуряване на безопасност при пожар". Не се допуска използването му във взривоопасна и пожароопасна среда, при температура на околния въздух над 40°C, в

особено влажна среда, при наличие на валяжи и в химически активна среда. Работното място трябва да е добре осветено.

Запознаване с електроинструмента

Преди да започнете да работите с електроинструмента се запознайте с всички оперативни особености и условия за безопасност. Използвайте електроинструмента и принадлежностите му само по предназначение. Всяко друго приложение е изрично забранено.

1. Прекъсвач
2. Ограничител на дълбочина на фрезоване
3. Фиксатор на вертикалното положение на конзолата
4. Ръкохватки
5. Винт за затягане на ел.двигателя към конзолата
6. Тристепенна позиционна опора
7. Линия на паралелния водач
8. Основа
9. Вретено
10. Паралелен водач
11. Винтове за затягане на паралелния водач
12. Вертикални водачи
13. Линия за отчитане на дълбочината на фрезоване
14. Електронен регулатор на оборотите
15. Адаптер за прахосмукачка

Указания за работа

Тези електроинструменти се запазват само с еднофазно променливо напрежение. Те са с двойна изолация съгласно EN 60745-1 и IEC 60745 и може да се присъединяват към контакти без защитни клеми. Радиосмущенията съответстват на Директивата за електромагнитна съвместимост.

Фрезите за дърво са ръчни електроинструменти, предназначени за фрезоване на канали, закръгляния, фаски, ръбове, профилни кантове и отвори в дърво, дървесни плоскости и пластмаса, посредством палцеви и профилни фрезери.

ПРЕДИ ДА ЗАПОЧНЕТЕ РАБОТА

- Проверете дали напрежението на електрическата мрежа отговаря на това, означено върху табелката с технически данни на

електроинструмента.

- Проверете в какво положение се намира прекъсвачът. Електроинструментът трябва да се присъединява и отделя от захранващата мрежа само при изключен прекъсвач. Ако поставите щепсела в контакт докато прекъсвачът е във включено положение, електроинструментът веднага ще се задейства, което е предпоставка за злополука.
- Убедете се в изправността на захранващия кабел и щепсел. Ако захранващият кабел е повреден, замяната трябва да се извърши от производителя или от негов сервизен специалист, за да се избегнат опасностите от замяната.
- Проверете съответства ли диаметърът на опашката на фрезера на отвора на използваната цанга и максималните обороти, допустими за използвания инструмент.
- Убедете се, че фрезерът е добре пристегнат в цангата.



ПРЕДУПРЕЖДЕНИЕ: Винаги изключвайте електроинструмента и изваж-дайте щепсела от контакта преди извършване на каквато и да било настройка, обслужване или поддръжка и при отпадане на захранващото напрежение.

Фрезата е предназначена да работи с фрезери с диаметър на присъединителната опашка Ø6 и Ø8. Максималният диаметър на работната част на фрезера не трябва да надвишава Ø30 mm.

Високите обороти на фрезата изискват фрезери с високо качество, които да гарантират достатъчна дълготрайност (например фрезери от бързорежеща стомана (HSS) или още по-добре - фрезери с твърдосплавни пластини (HM).

Използвайте инструменти (фрезери) с точен диаметър на опашката, предназначен за съответната цанга, подходящи за скоростта на въртене на електроинструмента.

ПУСКАНЕ - СПИРАНЕ

- Пускане: Плъзгачът на прекъсвача 1 се плъзга напред докато предната му част хлътне и се застопори.
- Спиране: Задният, надигнат край на прекъсвача 1 се натиска и се оставя самостоятелно да се върне назад в изходно положение.



ПРЕДУПРЕЖДЕНИЕ: При външна температура, по-ниска от 0°, фрезата се пуска само при положение "G" на електронния регулатор на оборотите. След няколко минути работа на празен ход фрезата може да се използва и при другите положения на регулатора.

РЕГУЛИРАНЕ НА ОБОРОТИТЕ

Оборотите могат да се изменя плавно от А до G, чрез въртене на потенциометъра на електронния регулатор на оборотите. След няколко минути работа на празен ход фрезата може да се използва и при другите положения на регулатора.

РЕГУЛИРАНЕ НА РЪКОХВАТКИТЕ

Издърпайте поотделно ръкохватките и ги завъртете в положение, удобно за работа, след което отпуснете ръкохватките.

ПОДМЯНА НА ИНСТРУМЕНТА

За удобство свалете електродвигателя от носещата конзола, като отвиете фиксиращия винт 5.

С помощта на гаечни ключове S17 и S14 отвийте гайката III и свалете инструмента IV от вретеното 9.

Поставете новия инструмент в цангата II и затегнете здраво гайката III.

Поставете обратно електродвигателя в гнездото на носещата конзола и затегнете здраво фиксиращия винт 5.

НАСТРОЙВАНЕ ДЪЛБОЧИНАТА НА ФРЕЗОВАНЕ

Преди да пристъпите към каквато и да е настройка винаги изключвайте машината от прекъсвача и изчакайте до пълното спиране на въртенето на инструмента.

Свалете носещата конзола, докато инструментът докосне повърхността на обработвания детайл, застопорете с помощта на фиксатора 3 и отчетете положението по вертикалната скала 13 като начално (нулево).

Настройте първата степен на дълбочина с помощта на ограничителя 2, насочен срещу най-високото ниво на трипозиционната опора 6, като отчитате размера по вертикалната скала 13 и застопорете носещата конзола с фиксатора 3. Застопорете ограничителя 2 с помощта на крилчатия винт (предварително настройте трите степени на позиционната опора на желаните от Вас нива).

Втората и третата степен на дълбочина на фрезозане се определя със завъртане диска на трипозиционната опора 6 и придвижване на носещата конзола, докато ограничителят 2 опре в съответното ниво на опората. Контролирайте размерите по вертикалната скала или с помощта на контролен (пробен) детайл.

РАБОТА С ПАРАЛЕЛНИЯ ВОДАЧ

Паралелният водач 10 служи за фрезозане на ръбове и канали паралелно на тях на определено разстояние. Настройването на разстоянието става с помощта на хоризонталната скала 7, след което паралелният водач 10 се застопорява с винтове 11.

ФРЕЗОЗАНЕ ПО ЧЕРТЕЖ (СКИЦА)

Фрезозането се извършва без паралелен водач 10 по предварително начертана скица върху обработвания детайл. Добри резултати ще постигнете при по-малки дължини.

ФРЕЗОЗАНЕ НА ГОЛЕМИ ДЕТАЙЛИ

Използвайте помощна дъска, закрепена върху обработваната повърхност, за водене на фрезата. Фрезата се води с две ръце, като плоската страна на основата 8 се притиска към помощната дъска.

ФРЕЗОЗАНЕ С ИЗСМУКВАНЕ

Поставете адаптера в гнездото на основата 8 от долната ѝ страна с цилиндричната част напред. Затегнете адаптера с двата винта към основата и поставете прозрачния екран. Вътрешният диаметър на адаптера за присъединяване на прахосмукачка е 35 mm.

ПРИНАДЛЕЖНОСТИ, КОИТО МОГАТ ДА БЪДАТ ИЗПОЛЗВАНИ С ТОЗИ ЕЛЕКТРОИНСТРУМЕНТ

- Фрезери от бързорежеща стомана HSS - с диаметър на присъединителната опашка Ø6 и Ø8
- Фрезери с твърдосплавни пластини HM - с диаметър на присъединителната опашка Ø6 и Ø8

Поддръжка



ПРЕДУПРЕЖДЕНИЕ: Винаги изключвайте електроинструмента и изваждайте щепсела от контакта преди всякаква проверка или поддръжка.

ПОДМЯНА НА ЧЕТКИТЕ

Електроинструментът е снабден със самоизключващи се четки. Когато четките се износят, двете четки трябва да се подменят едновременно с оригинални четки в сервиз на SPARKY за гаранционна и извънгаранционна поддръжка.

ОБЩА ПРОВЕРКА

Проверявайте редовно всички крепежни елементи и се уверете, че те са здраво притегнати. В случай, че някой от винтовете се е разхлабил, го затегнете незабавно, за да избегнете рискови ситуации.

Ако захранващият кабел е повреден, замената трябва да се извърши от производителя или негов сервизен специалист, за да се избегнат опасностите от замената.

ПОЧИСТВАНЕ

За безопасна работа поддържайте винаги чисти машината и вентилационните отвори. Редовно проверявайте дали във вентилационната решетка близо до електродвигателя или около превключвателите не е проникнал прах или чужди тела. Използвайте мека четка за да отстраните събралия се прах. За да предпазите очите си, по време на почистването носете защитни очила.

Резбовите отвори трябва да се поддържат чисти.

Вертикалните водачи 12 да се почистват редовно и смазват с масло.

Ако корпусът на машината се нуждае от почистване, избършете го с мека влажна кърпа. Може да се използва слаб препарат за миене.



ПРЕДУПРЕЖДЕНИЕ: Не се допуска употребата на спирт, бензин или други разтворители. Никога не използвайте разяждащи препарати за почистване на пластмасовите части.



ПРЕДУПРЕЖДЕНИЕ: Не се допуска влизането на вода в контакт с машината.

ВАЖНО! За да се осигури безопасната работа с електроинструмента и неговата надеждност, всички дейности по ремонта, поддръжката и регулирането (включително проверката и подмяната на четките) трябва да се извършват в оторизираните сервиси на SPARKY с използване само на оригинални резервни части.

Гаранция

Гаранционният срок на електроинструментите SPARKY се определя в гаранционна карта.

Неизправности, появили се в следствие на естествено износване, претоварване или неправилна експлоатация, се изключват от гаранционните задължения.

Неизправности, появили се в следствие на влагане на некачествени материали и/или производствени грешки, се отстраняват без допълнително заплащане чрез замяна или ремонт.

Рекламация на дефектирал електроинструмент SPARKY се признава, когато машината се върне на доставчика или се представи на оторизиран гаранционен сервиз в неразглобено (първоначално) състояние.

Забележки

Внимателно прочетете цялата инструкция преди да използвате това изделие.

Производителят си запазва правото да въвежда подобрения и промени в своите изделия и да променя спецификациите без предупреждение.

Спецификациите могат да се различават за отделните страни.



